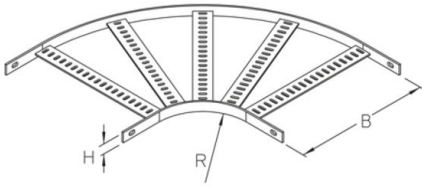


## SLB

ship ladder bend, height = 30 mm

ship ladder bend 90° for horizontal change of direction



### Bright rolled

Product	H	B	R	G
SLB 075B	30 mm	75 mm	100 mm	1,6 kg
SLB 100B	30 mm	100 mm	100 mm	1,7 kg
SLB 150B	30 mm	150 mm	100 mm	2 kg
SLB 200B	30 mm	200 mm	100 mm	2,2 kg
SLB 250B	30 mm	250 mm	100 mm	2,8 kg
SLB 300B	30 mm	300 mm	150 mm	3,7 kg
SLB 400B	30 mm	400 mm	150 mm	4,5 kg
SLB 500B	30 mm	500 mm	200 mm	6,1 kg

### Hot-dip galvanized, according to BS 729 (DIN EN ISO 1461)

Product	H	B	R	G
SLB 075F	30 mm	75 mm	100 mm	1,6 kg
SLB 100F	30 mm	100 mm	100 mm	1,7 kg
SLB 150F	30 mm	150 mm	100 mm	2 kg
SLB 200F	30 mm	200 mm	100 mm	2,2 kg
SLB 250F	30 mm	250 mm	100 mm	2,8 kg
SLB 300F	30 mm	300 mm	150 mm	3,7 kg
SLB 400F	30 mm	400 mm	150 mm	4,5 kg
SLB 500F	30 mm	500 mm	200 mm	6,1 kg



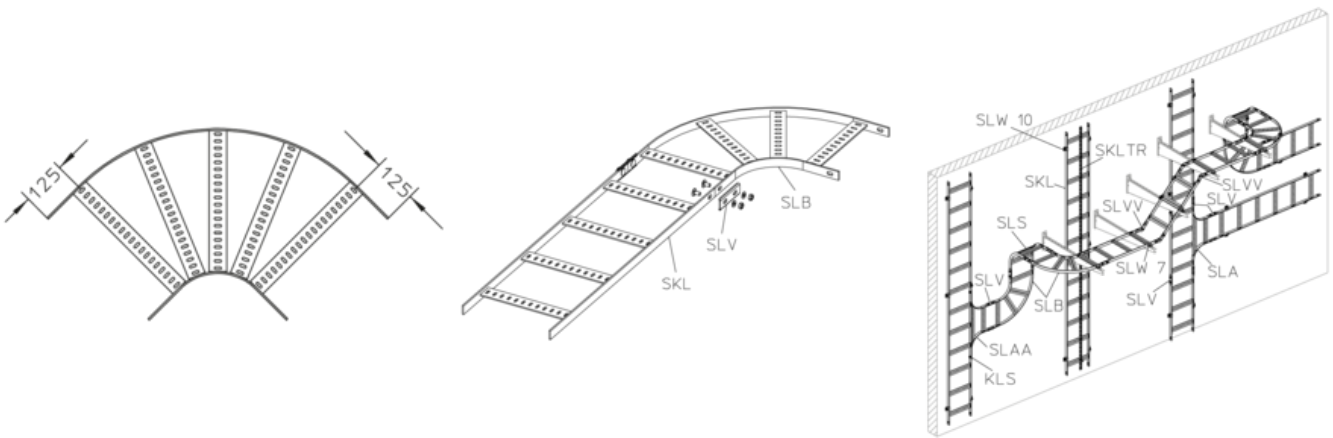


weld-primed

Product	H	B	R	G
SLB 075M	30 mm	75 mm	100 mm	1,6 kg
SLB 100M	30 mm	100 mm	100 mm	1,7 kg
SLB 150M	30 mm	150 mm	100 mm	2 kg
SLB 200M	30 mm	200 mm	100 mm	2,2 kg
SLB 250M	30 mm	250 mm	100 mm	2,8 kg
SLB 300M	30 mm	300 mm	150 mm	3,7 kg
SLB 400M	30 mm	400 mm	150 mm	4,5 kg
SLB 500M	30 mm	500 mm	200 mm	6,1 kg

**H:** height  
**B:** width  
**R:** radius  
**G:** weight

DETAILS / APPLICATIONS



OPTIONAL ACCESSORIES

SLW, SLV, SLVV



PohlCon GmbH  
Nobelstraße 51 | 12057 Berlin  
Telefon: +49 30 68283-04 | Fax: +49 30 68283-383 | contact@pohlcon.com

