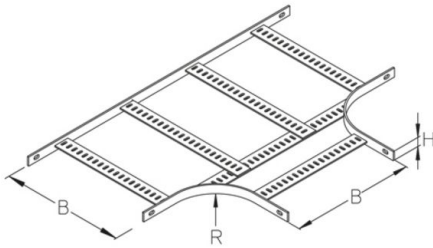


SLA

ship ladder branch, height = 30 mm

ship ladder branch, shaped piece as T-piece



Bright rolled

| Product | H | B | R | G |
|----------|-------|--------|--------|--------|
| SLA 075B | 30 mm | 75 mm | 100 mm | 2,5 kg |
| SLA 100B | 30 mm | 100 mm | 100 mm | 2,7 kg |
| SLA 150B | 30 mm | 150 mm | 100 mm | 3,2 kg |
| SLA 200B | 30 mm | 200 mm | 100 mm | 3,6 kg |
| SLA 250B | 30 mm | 250 mm | 100 mm | 4,1 kg |
| SLA 300B | 30 mm | 300 mm | 150 mm | 5,4 kg |
| SLA 400B | 30 mm | 400 mm | 150 mm | 6,5 kg |
| SLA 500B | 30 mm | 500 mm | 200 mm | 8,8 kg |

Hot-dip galvanized, according to BS 729 (DIN EN ISO 1461)

| Product | H | B | R | G |
|----------|-------|--------|--------|--------|
| SLA 075F | 30 mm | 75 mm | 100 mm | 2,5 kg |
| SLA 100F | 30 mm | 100 mm | 100 mm | 2,7 kg |
| SLA 150F | 30 mm | 150 mm | 100 mm | 3,2 kg |
| SLA 200F | 30 mm | 200 mm | 100 mm | 3,6 kg |
| SLA 250F | 30 mm | 250 mm | 100 mm | 4,1 kg |
| SLA 300F | 30 mm | 300 mm | 150 mm | 5,4 kg |
| SLA 400F | 30 mm | 400 mm | 150 mm | 6,5 kg |
| SLA 500F | 30 mm | 500 mm | 200 mm | 8,8 kg |

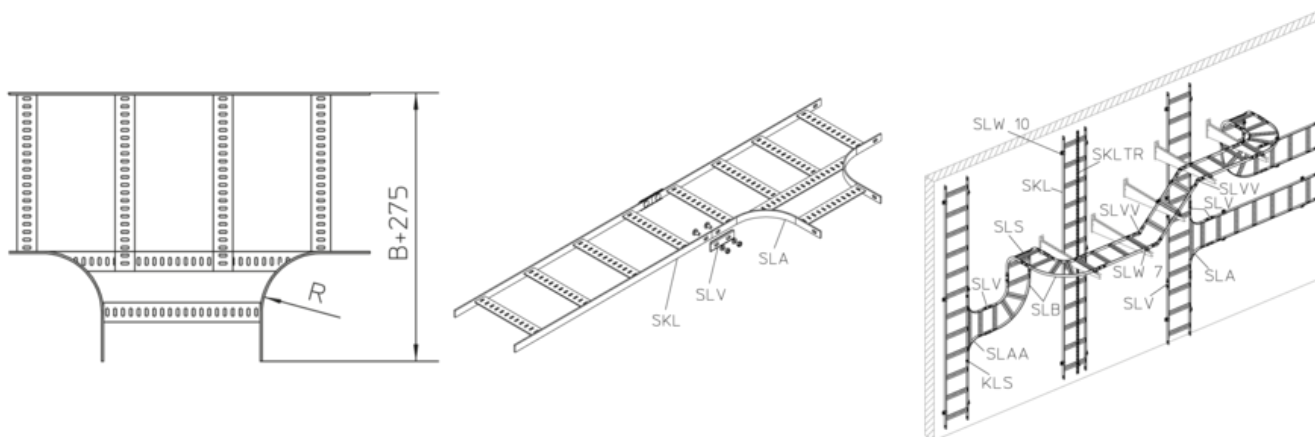


weld-primed

| Product | H | B | R | G |
|----------|-------|--------|--------|--------|
| SLA 075M | 30 mm | 75 mm | 100 mm | 2,5 kg |
| SLA 100M | 30 mm | 100 mm | 100 mm | 2,7 kg |
| SLA 150M | 30 mm | 150 mm | 100 mm | 3,2 kg |
| SLA 200M | 30 mm | 200 mm | 100 mm | 3,6 kg |
| SLA 250M | 30 mm | 250 mm | 100 mm | 4,1 kg |
| SLA 300M | 30 mm | 300 mm | 150 mm | 5,4 kg |
| SLA 400M | 30 mm | 400 mm | 150 mm | 6,5 kg |
| SLA 500M | 30 mm | 500 mm | 200 mm | 8,8 kg |

H: height
B: width
R: radius
G: weight

DETAILS / APPLICATIONS



OPTIONAL ACCESSORIES

SLW, SLV, SLVV

