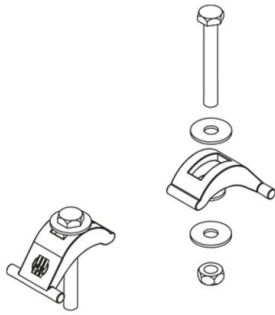


SKS M

beam clamp set



Hot-dip galvanized, according to BS 729 (DIN EN ISO 1461)

| Product | k | P _{max} | M | G |
|---------------|------------|----------------------------|-------|-------------|
| SKS MF | 10 - 30 mm | 20 kN | 50 Nm | 0,52 kg/set |
| incl.: | | | | |
| 2x SES 10X75F | | hexagon head bolt, DIN 933 | | |
| 2x UVS M10X24 | | captive washer | | |
| 2x SEM 10F | | hexagon-nut, DIN 934 | | |

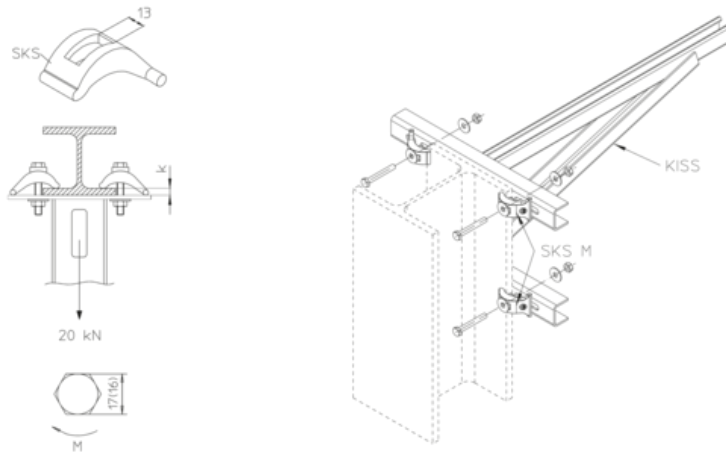
Stainless steel, according to ASTM 31 Ti / AISI 316 L, BS 320S17 / BS 316S11

| Product | k | P _{max} | M | G |
|----------------|------------|----------------------------|-------|------------|
| SKS ME4 | 10 - 30 mm | 20 kN | 50 Nm | 0,3 kg/set |
| incl.: | | | | |
| 2x SES 10X75E4 | | hexagon head bolt, DIN 933 | | |
| 2x UVS M10X24 | | captive washer | | |
| 2x SEM 10E4 | | hexagon-nut, DIN 934 | | |

k: clamping range
P_{max}: Maximum load
M: torque
G: weight



DETAILS / APPLICATIONS



OPTIONAL ACCESSORIES

KISS

