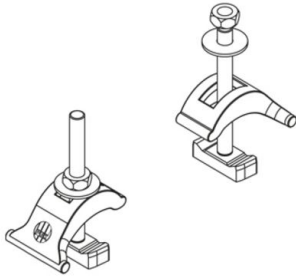


SKS H

beam clamp set



Hot-dip galvanized, according to BS 729 (DIN EN ISO 1461)

Product	k	P _{max}	M	G
SKS HF	10 - 30 mm	20 kN	50 Nm	0,61 kg/set
incl.: 2x HS22 10X80F		tee-head bolt, A2/ A4		

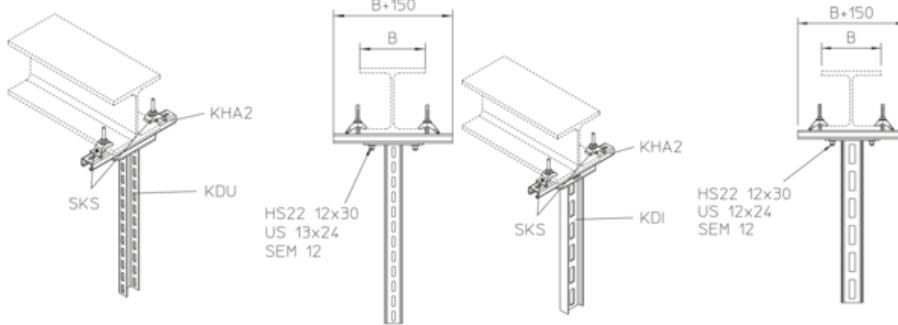
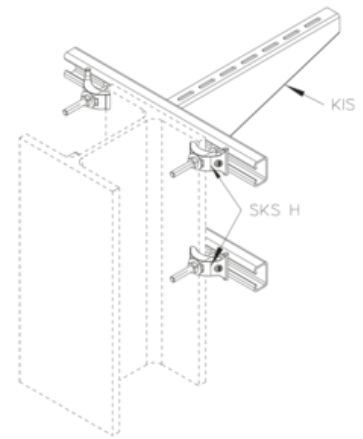
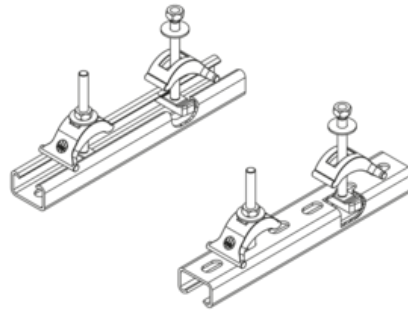
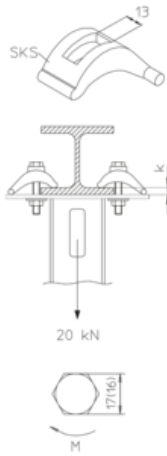
Stainless steel, according to ASTM 31 Ti / AISI 316 L, BS 320S17 / BS 316S11

Product	k	P _{max}	M	G
SKS HE4	10 - 30 mm	20 kN	50 Nm	0,63 kg/set
incl.: 2x HS22 10X80E4		tee-head bolt, A2/ A4		

k: clamping range
P_{max}: Maximum load
M: torque
G: weight

DETAILS / APPLICATIONS





OPTIONAL ACCESSORIES

KHA 2

