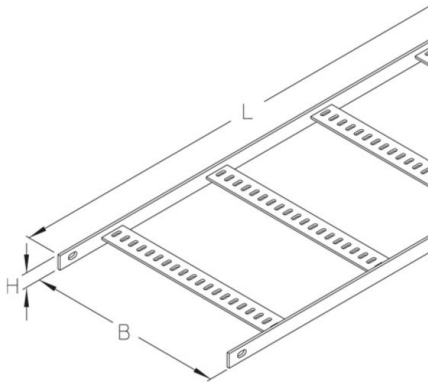


SKL

ship cable ladder, height = 30 mm

Ship cable ladder with continuously perforated and welded rungs made of flat-steel.



Bright rolled

| Product | H | B | L | G |
|----------|-------|--------|---------|---------|
| SKL 075B | 30 mm | 75 mm | 3000 mm | 8,4 kg |
| SKL 100B | 30 mm | 100 mm | 3000 mm | 8,7 kg |
| SKL 150B | 30 mm | 150 mm | 3000 mm | 9,3 kg |
| SKL 200B | 30 mm | 200 mm | 3000 mm | 9,9 kg |
| SKL 250B | 30 mm | 250 mm | 3000 mm | 10,8 kg |
| SKL 300B | 30 mm | 300 mm | 3000 mm | 11,4 kg |
| SKL 400B | 30 mm | 400 mm | 3000 mm | 12,9 kg |
| SKL 500B | 30 mm | 500 mm | 3000 mm | 14,4 kg |

Hot-dip galvanized, according to BS 729 (DIN EN ISO 1461)

| Product | H | B | L | G |
|----------|-------|--------|---------|---------|
| SKL 075F | 30 mm | 75 mm | 3000 mm | 8,4 kg |
| SKL 100F | 30 mm | 100 mm | 3000 mm | 8,7 kg |
| SKL 150F | 30 mm | 150 mm | 3000 mm | 9,3 kg |
| SKL 200F | 30 mm | 200 mm | 3000 mm | 9,9 kg |
| SKL 250F | 30 mm | 250 mm | 3000 mm | 10,8 kg |
| SKL 300F | 30 mm | 300 mm | 3000 mm | 11,4 kg |
| SKL 400F | 30 mm | 400 mm | 3000 mm | 12,9 kg |
| SKL 500F | 30 mm | 500 mm | 3000 mm | 14,4 kg |

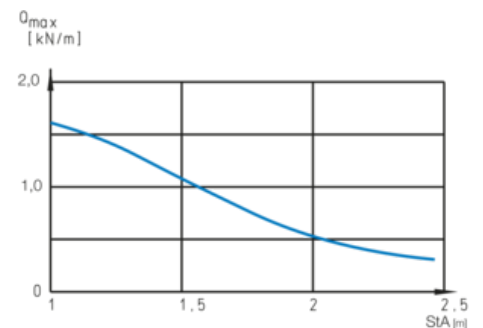
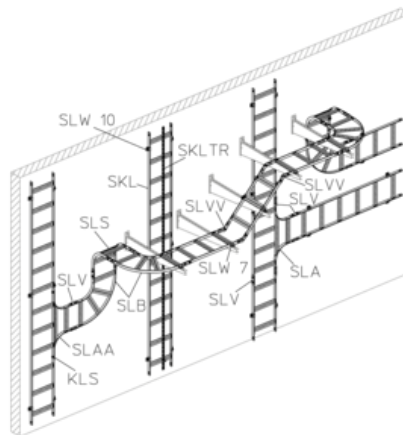
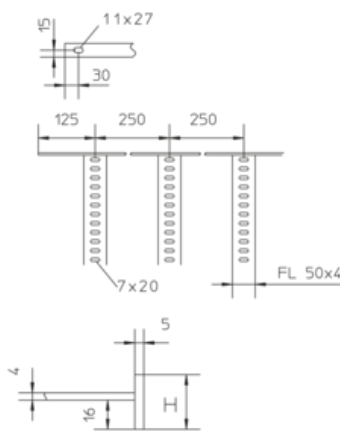


weld-primed

| Product | H | B | L | G |
|----------|-------|--------|---------|---------|
| SKL 075M | 30 mm | 75 mm | 3000 mm | 8,4 kg |
| SKL 100M | 30 mm | 100 mm | 3000 mm | 8,7 kg |
| SKL 150M | 30 mm | 150 mm | 3000 mm | 9,3 kg |
| SKL 200M | 30 mm | 200 mm | 3000 mm | 9,9 kg |
| SKL 250M | 30 mm | 250 mm | 3000 mm | 10,8 kg |
| SKL 300M | 30 mm | 300 mm | 3000 mm | 11,4 kg |
| SKL 400M | 30 mm | 400 mm | 3000 mm | 12,9 kg |
| SKL 500M | 30 mm | 500 mm | 3000 mm | 14,4 kg |

H: height
B: width
L: length
G: weight

DETAILS / APPLICATIONS



OPTIONAL ACCESSORIES

SLW, SLV, SLVV

