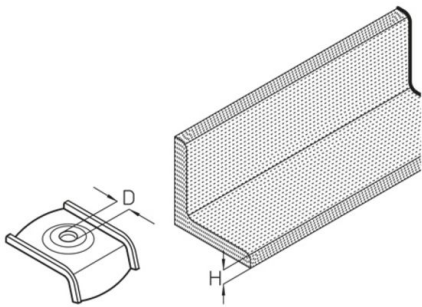


SK clamping claw



Hot-dip galvanized, according to BS 729 (DIN EN ISO 1461)

Product	H	D	G
SK 4 M8	4 mm	M 8 mm	3,5 kg/100
SK 6 M8	6 mm	M 8 mm	3,7 kg/100
SK 8 M8	8 mm	M 8 mm	4 kg/100
SK 10 M8	10 mm	M 8 mm	4,1 kg/100
SK 12 M8	12 mm	M 8 mm	4,4 kg/100

H: height
D: diameter
G: weight

DETAILS / APPLICATIONS



