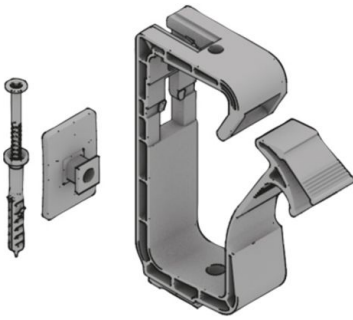


## SH ND K

multiple cable holder, plastic, with nail plug

flame-resistant according to specification of UL94 V-0 and fire hazard testing VDE 0471/DIN IEC 695 part 2-1, testing temperature  $T_{max}$

The information on the number of cables relating to the use of NYM cable (3 x 1.5 mm<sup>2</sup>).



### Polyamide

Product	number of cables	color	G	PT
SH 15 ND K	15	RAL 7035	0,04 kg	750 °C
incl.:				
1x BFS ND K	quick-mounting clip for all-rounder cable holder, plastic, with nail plug			
SH 30 ND K	30	RAL 7035	0,06 kg	750 °C
incl.:				
1x BFS ND K	quick-mounting clip for all-rounder cable holder, plastic, with nail plug			
SH 15 ND FWK	15	RAL 7030	0,04 kg	960 °C
incl.:				
1x BFS ND FWK	quick-mounting clip for all-rounder cable holder, plastic, with nail plug			
SH 30 ND FWK	30	RAL 7030	0,06 kg	960 °C
incl.:				
1x BFS ND FWK	quick-mounting clip for all-rounder cable holder, plastic, with nail plug			

**number of cables:** Maximum number of installable cables

**color:**

**G:** weight

**PT:** test temperature

## OPTIONAL ACCESSORIES

KOT K



