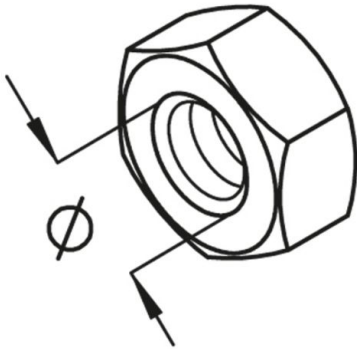


SEMB

hexagon-nut, DIN 934

Hexagon-nut (DIN 934) with gripping coating (DIN 267-28).



Hot-dip galvanized, according to BS 729 (DIN EN ISO 1461)

Product	D	Ø	t	SW	G
SEMB 10F	21 mm	10 mm	9,50 mm	15 mm	1,10 kg/100

- D:** diameter
- Ø:** diameter
- t:** material thickness
- SW:** wrench size
- G:** weight

DETAILS / APPLICATIONS

