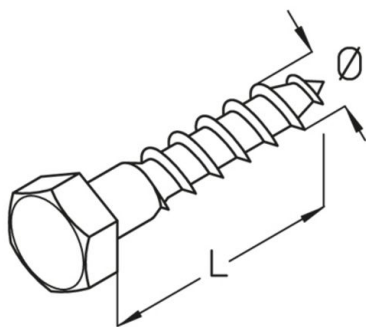


SEH

hexagon wood screw



galvanized, according to DIN EN ISO 19598 / DIN EN ISO 2081

Product	L	Ø	SW	G
SEH 8X50	50 mm	8 mm	13 mm	1,8 kg/100
SEH 8X60	60 mm	8 mm	13 mm	2,1 kg/100
SEH 10X50	50 mm	10 mm	17 mm	3,2 kg/100
SEH 10X60	60 mm	10 mm	17 mm	3,6 kg/100
SEH 10X80	80 mm	10 mm	17 mm	4,5 kg/100

L: length
Ø: diameter
SW: wrench size
G: weight

DETAILS / APPLICATIONS



