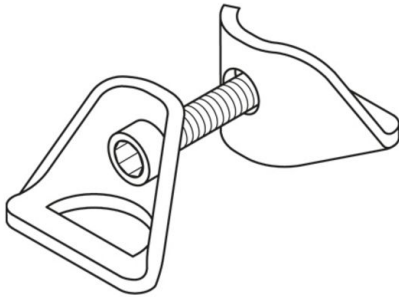


SC
tightening clip

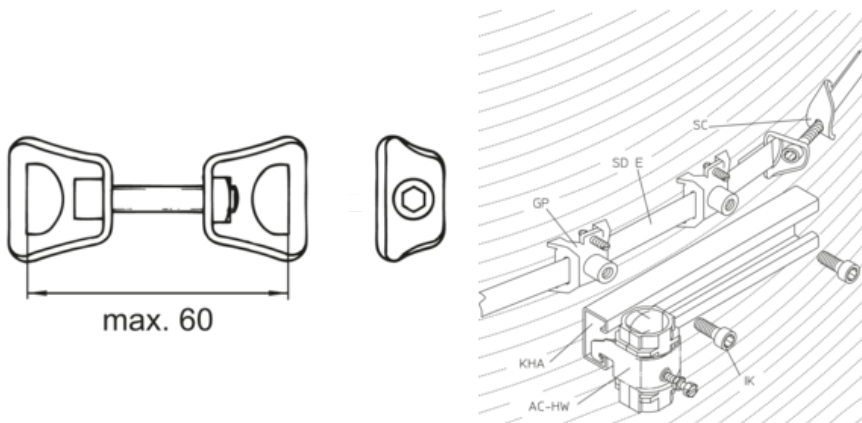


Hot-dip galvanized, according to BS 729 (DIN EN ISO 1461)

Product	G
SC	6,5 kg/100
incl.:	
1x IK 8X40E	hexagon socket head screw, DIN 912

G: weight

DETAILS / APPLICATIONS





OPTIONAL ACCESSORIES

GP, SD E

