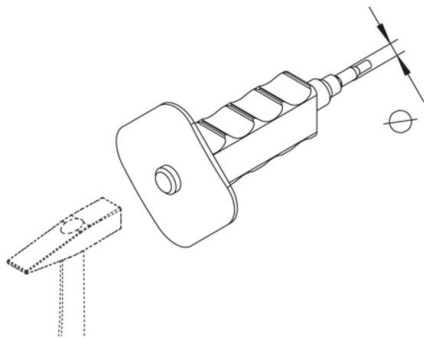


SAZ-D

anchor

manufacturer's information has to be observed strictly.



galvanized, according to DIN EN ISO 19598 / DIN EN ISO 2081

Product	Ø	G
SAZ-D 8	8 mm	0,44 kg
SAZ-D 10	10 mm	0,50 kg
SAZ-D 12	12 mm	0,50 kg

Ø: diameter

G: weight

