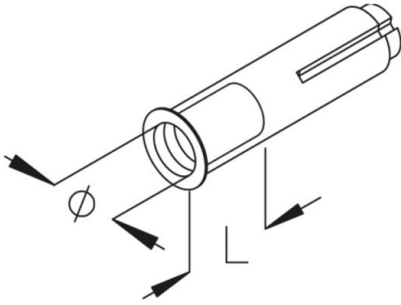


SA anchor



Permissible as multiple fastening. Permissible load in non-cracked normal concrete of strength f_{ctd} C20/25. Manufacturer's information has to be observed strictly (ETA-07/0135).

galvanized, according to DIN EN ISO 19598 / DIN EN ISO 2081

Product	L	L _{min}	D	Ø	Pzul	G
SA 6	6-12 mm	27 mm	8 mm	6 mm	3,95 kN	0,4 kg/100
SA 8	11-17 mm	33 mm	10 mm	8 mm	3,95 kN	0,5 kg/100
SA 10	13-19 mm	44 mm	12 mm	10 mm	6,1 kN	0,8 kg/100
SA 12	15-21 mm	54 mm	15 mm	12 mm	8,5 kN	1,6 kg/100

Stainless steel, according to ASTM 31 Ti / AISI 316 L, BS 320S17 / BS 316S11

Product	L	L _{min}	D	Ø	Pzul	G
SA 6E4	6-12 mm	27 mm	8 mm	6 mm	3,95 kN	0,4 kg/100
SA 8E4	11-17 mm	33 mm	10 mm	8 mm	3,95 kN	0,5 kg/100
SA 10E4	13-19 mm	44 mm	12 mm	10 mm	6,1 kN	0,8 kg/100
SA 12E4	15-21 mm	54 mm	15 mm	12 mm	8,5 kN	1,6 kg/100

L: length

L_{min}: Minimum drilling depth

D: diameter

Ø: diameter

Pzul: permissible tractive force

G: weight



DETAILS / APPLICATIONS

