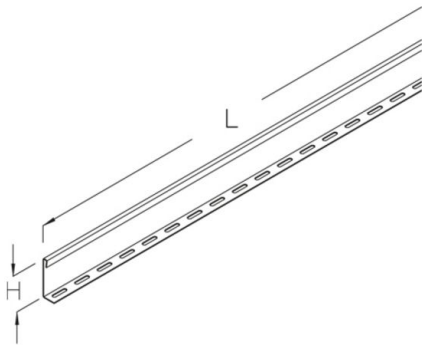


RTR 60

cable tray separating strip, height = 50 mm

cable tray separating strip including fastening bolts



Continuously hot galvanized (Sendzimir process) (DIN EN 10346)

| Product | H | L | G |
|---------|---------------------|---------|--------|
| RTR 60S | 50 mm | 3000 mm | 2,1 kg |
| incl.: | | | |
| 3x KLR | clamp fastening set | | |

Hot-dip galvanized, according to BS 729 (DIN EN ISO 1461)

| Product | H | L | G |
|----------|---------------------|---------|--------|
| RTR 60F | 50 mm | 3000 mm | 2,2 kg |
| incl.: | | | |
| 3x KLR E | clamp fastening set | | |

Stainless steel, according to ASTM 304 / BS 304 S 3

| Product | H | L | G |
|----------|---------------------|---------|--------|
| RTR 60E | 50 mm | 3000 mm | 2,1 kg |
| incl.: | | | |
| 3x KLR E | clamp fastening set | | |

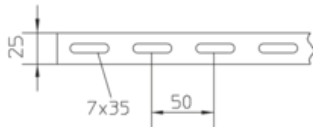


Stainless steel, according to ASTM 31 Ti / AISI 316 L, BS 320S17 / BS 316S11

| Product | H | L | G |
|----------|---------------------|---------|--------|
| RTR 60E4 | 50 mm | 3000 mm | 2,1 kg |
| incl.: | | | |
| 3x KLR E | clamp fastening set | | |

H: height
L: length
G: weight

DETAILS / APPLICATIONS



OPTIONAL ACCESSORIES

KLF

