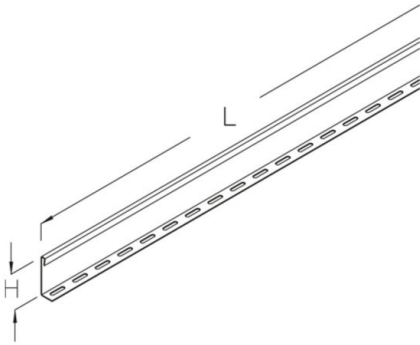


## RTR 35

cable tray separating strip, height = 33 mm

cable tray separating strip including fastening bolts



Stainless steel, according to ASTM 31 Ti / AISI 316 L, BS 320S17 / BS 316S11

Product	H	L	G
RTRV 35E4	33 mm	1000 mm	0,435 kg
incl.:			
3x FRSV 6X12E4	round-head screw with short square, DIN 603		
3x SEM 6E4	hexagon-nut, DIN 934		
3x US 6X12E4	washer, DIN EN ISO 7089		

Continuously hot galvanized (Sendzimir process) (DIN EN 10346)

Product	H	L	G
RTR 35S	33 mm	3000 mm	1,5 kg
incl.:			
3x KLR	clamp fastening set		

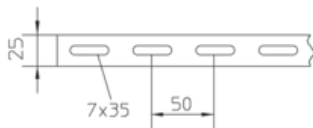
Hot-dip galvanized, according to BS 729 (DIN EN ISO 1461)

Product	H	L	G
RTR 35F	33 mm	3000 mm	1,6 kg
incl.:			
3x KLR E	clamp fastening set		



**H:** height  
**L:** length  
**G:** weight

## DETAILS / APPLICATIONS



## OPTIONAL ACCESSORIES

KLF

