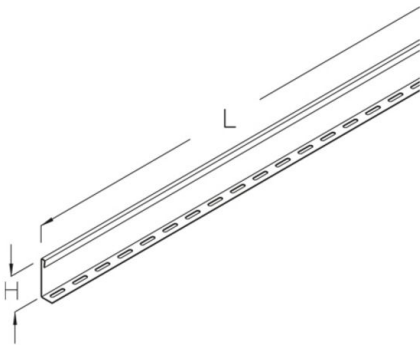


RTR 110

cable tray separating strip, height = 100 mm

cable tray separating strip including fastening bolts

This article is available made in material No. 1.4571/1.4404 (V4A) stainless steel finish.



Continuously hot galvanized (Sendzimir process) (DIN EN 10346)

| Product | H | L | G |
|----------|---------------------|---------|--------|
| RTR 110S | 100 mm | 3000 mm | 3,3 kg |
| incl.: | | | |
| 3x KLR | clamp fastening set | | |

Hot-dip galvanized, according to BS 729 (DIN EN ISO 1461)

| Product | H | L | G |
|----------|---------------------|---------|--------|
| RTR 110F | 100 mm | 3000 mm | 3,5 kg |
| incl.: | | | |
| 3x KLR E | clamp fastening set | | |

Stainless steel, according to ASTM 304 / BS 304 S 3

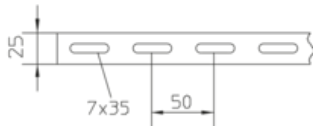
| Product | H | L | G |
|----------|---------------------|---------|--------|
| RTR 110E | 100 mm | 3000 mm | 3,3 kg |
| incl.: | | | |
| 3x KLR E | clamp fastening set | | |

H: height



L: length
G: weight

DETAILS / APPLICATIONS



OPTIONAL ACCESSORIES

KLF

