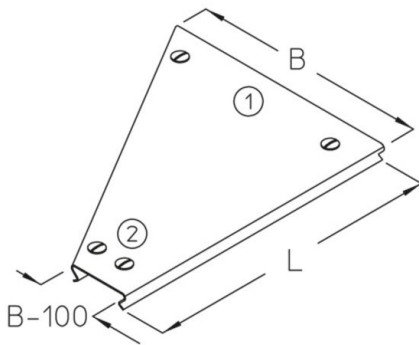


## RRDR

cable tray reducer cover with turning bolts

cable tray reducer cover, positive locking, with additional turning bolts



Please quote the design (left, centred, right) and the side width with your order. This article is available made in material No. 1.4571/1.4404 (V4A) stainless steel finish.

### Continuously hot galvanized (Sendzimir process) (DIN EN 10346)

Product	B	L	G
RRDR 20S	200 mm	500 mm	0,6 kg
RRDR 30S	300 mm	500 mm	1,2 kg
RRDR 40S	400 mm	500 mm	1,6 kg
RRDR 50S	500 mm	500 mm	2,5 kg
RRDR 60S	600 mm	500 mm	2,9 kg

### Hot-dip galvanized, according to BS 729 (DIN EN ISO 1461)

Product	B	L	G
RRDR 20F	200 mm	500 mm	0,7 kg
RRDR 30F	300 mm	500 mm	1,3 kg
RRDR 40F	400 mm	500 mm	1,7 kg
RRDR 50F	500 mm	500 mm	2,7 kg
RRDR 60F	600 mm	500 mm	3,2 kg

### Stainless steel, according to ASTM 304 / BS 304 S 3

Product	B	L	G
RRDR 20E	200 mm	500 mm	0,6 kg



Product	B	L	G
RRDR 30E	300 mm	500 mm	1,2 kg
RRDR 40E	400 mm	500 mm	1,6 kg
RRDR 50E	500 mm	500 mm	2,5 kg
RRDR 60E	600 mm	500 mm	3,2 kg

**B:** width  
**L:** length  
**G:** weight

## DETAILS / APPLICATIONS

