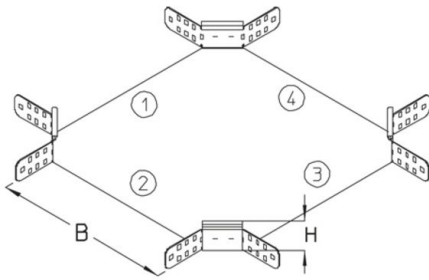


RK 35

cable tray crossover, height = 35 mm

cable tray crossover for horizontal change of direction with integrated connectors



Continuously hot galvanized (Sendzimir process) (DIN EN 10346)

Product	H	B	G
RK 35-10S	35 mm	100 mm	0,6 kg
incl.: 4x KLR clamp fastening set			
RK 35-20S	35 mm	200 mm	0,9 kg
incl.: 4x KLR clamp fastening set			
RK 35-30S	35 mm	300 mm	1,7 kg
incl.: 4x KLR clamp fastening set			

Hot-dip galvanized, according to BS 729 (DIN EN ISO 1461)

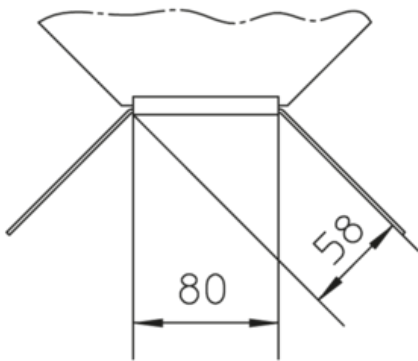
Product	H	B	G
RK 35-10F	35 mm	100 mm	0,7 kg
incl.: 4x KLR E clamp fastening set			
RK 35-20F	35 mm	200 mm	1 kg
incl.: 4x KLR E clamp fastening set			
RK 35-30F	35 mm	300 mm	1,8 kg



Product	H	B	G
incl.: 4x KLR E			
	clamp fastening set		

H: height
B: width
G: weight

DETAILS / APPLICATIONS



OPTIONAL ACCESSORIES

VB, RKD, RKDR, RTRV 35



UL classified

