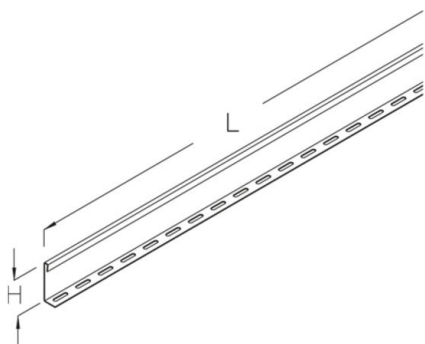


RITR 60

cable installation tray separating strip, height = 58 mm

cable tray separating strip including fastening bolts



Continuously hot galvanized (Sendzimir process) (DIN EN 10346)

Product	H	L	G
RITR 60S	58 mm	3000 mm	2,24 kg
incl.: 3x KLR		clamp fastening set	

H: height
L: length
G: weight

DETAILS / APPLICATIONS



