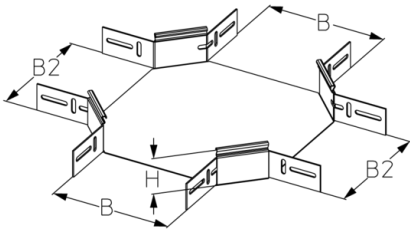


RIK 60

cable installation tray crossing, height = 60 mm

cable tray crossover for horizontal change of direction with integrated connectors



Continuously hot galvanized (Sendzimir process) (DIN EN 10346)

Product	H	B1	B2	G
RIK 60-05S	60 mm	50 mm	50 mm	1,17 kg
incl.: 8x FRSV 6X12 round-head screw with short square, DIN 603 8x SEMS 6 hexagon-nut with flange, DIN EN 1661				
RIK 60-10S	60 mm	100 mm	100 mm	1,36 kg
incl.: 8x FRSV 6X12 round-head screw with short square, DIN 603 8x SEMS 6 hexagon-nut with flange, DIN EN 1661				
RIK 60-20S	60 mm	200 mm	200 mm	1,88 kg
incl.: 8x FRSV 6X12 round-head screw with short square, DIN 603 8x SEMS 6 hexagon-nut with flange, DIN EN 1661				
RIK 60-30S	60 mm	300 mm	300 mm	2,59 kg
incl.: 8x FRSV 6X12 round-head screw with short square, DIN 603 8x SEMS 6 hexagon-nut with flange, DIN EN 1661				
RIK 60-10-05S	60 mm	100 mm	50 mm	1,25 kg
incl.:				
RIK 60-20-10S	60 mm	200 mm	100 mm	1,57 kg
incl.: 8x FRSV 6X12 round-head screw with short square, DIN 603 8x SEMS 6 hexagon-nut with flange, DIN EN 1661				
RIK 60-30-20S	60 mm	300 mm	200 mm	2,19 kg



Product	H	B1	B2	G
incl.: 8x FRSV 6X12 8x SEMS 6				
		round-head screw with short square, DIN 603 hexagon-nut with flange, DIN EN 1661		

Hot-dip galvanized, according to BS 729 (DIN EN ISO 1461)

Product	H	B1	B2	G
RIK 60-05F	60 mm	50 mm	50 mm	1,26 kg
incl.: 8x FRSV 6X12E 8x SEMS 6E				
		round-head screw with short square, DIN 603 hexagon-nut with flange, DIN EN 1661		
RIK 60-10F	60 mm	100 mm	100 mm	1,46 kg
incl.: 8x FRSV 6X12E 8x SEMS 6E				
		round-head screw with short square, DIN 603 hexagon-nut with flange, DIN EN 1661		
RIK 60-20F	60 mm	200 mm	200 mm	2,01 kg
incl.: 8x FRSV 6X12E 8x SEMS 6E				
		round-head screw with short square, DIN 603 hexagon-nut with flange, DIN EN 1661		
RIK 60-30F	60 mm	300 mm	300 mm	2,78 kg
incl.: 8x FRSV 6X12E 8x SEMS 6E				
		round-head screw with short square, DIN 603 hexagon-nut with flange, DIN EN 1661		
RIK 60-10-05F	60 mm	100 mm	50 mm	1,35 kg
incl.: 8x FRSV 6X12E 8x SEMS 6E				
		round-head screw with short square, DIN 603 hexagon-nut with flange, DIN EN 1661		
RIK 60-20-10F	60 mm	200 mm	100 mm	1,68 kg
incl.: 8x FRSV 6X12E 8x SEMS 6E				
		round-head screw with short square, DIN 603 hexagon-nut with flange, DIN EN 1661		
RIK 60-30-20F	60 mm	300 mm	200 mm	2,34 kg
incl.: 8x FRSV 6X12E 8x SEMS 6E				
		round-head screw with short square, DIN 603 hexagon-nut with flange, DIN EN 1661		



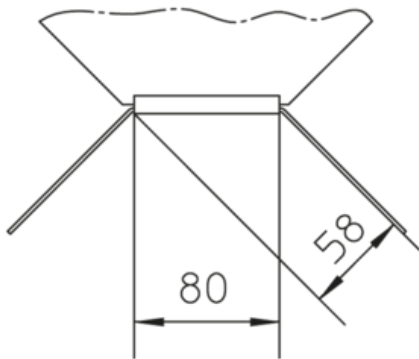
Stainless steel, according to ASTM 304 / BS 304 S 3

Product	H	B1	B2	G
RIK 60-05E	60 mm	50 mm	50 mm	1,02 kg
incl.: 8x FRSV 6X12E round-head screw with short square, DIN 603 8x SEMS 6E hexagon-nut with flange, DIN EN 1661				
RIK 60-10E	60 mm	100 mm	100 mm	1,21 kg
incl.: 8x FRSV 6X12E round-head screw with short square, DIN 603 8x SEMS 6E hexagon-nut with flange, DIN EN 1661				
RIK 60-20E	60 mm	200 mm	200 mm	1,73 kg
incl.: 8x FRSV 6X12E round-head screw with short square, DIN 603 8x SEMS 6E hexagon-nut with flange, DIN EN 1661				
RIK 60-30E	60 mm	300 mm	300 mm	2,45 kg
incl.: 8x FRSV 6X12E round-head screw with short square, DIN 603 8x SEMS 6E hexagon-nut with flange, DIN EN 1661				
RIK 60-10-05E	60 mm	100 mm	50 mm	1,10 kg
incl.: 8x FRSV 6X12E round-head screw with short square, DIN 603 8x SEMS 6E hexagon-nut with flange, DIN EN 1661				
RIK 60-20-10E	60 mm	200 mm	100 mm	1,42 kg
incl.: 8x FRSV 6X12E round-head screw with short square, DIN 603 8x SEMS 6E hexagon-nut with flange, DIN EN 1661				
RIK 60-30-20E	60 mm	300 mm	200 mm	2,04 kg
incl.: 8x FRSV 6X12E round-head screw with short square, DIN 603 8x SEMS 6E hexagon-nut with flange, DIN EN 1661				

H: height
B1: width
B2: width
G: weight

DETAILS / APPLICATIONS





OPTIONAL ACCESSORIES

RKD, RKDR, VB, RTRV 60

