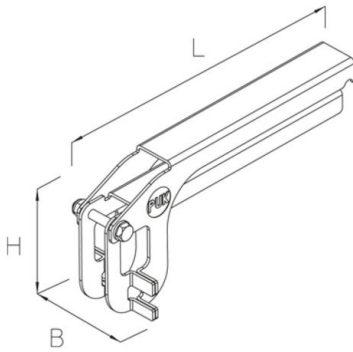


RGVST

RGVS assembly tool

Snap connector tool for fast assembly/disassembly of the snap connector RGVS on cable trays.

The snap connector tool is made of sendzimir hot-dip galvanized steel according to DIN EN 10346, which is plastic coated.



Continuously hot galvanized (Sendzimir process) (DIN EN 10346), plastic-coated

Product	H	B	L	t	color	G
RGVST SB	92 mm	60 mm	208 mm	2,00 mm	light grey (similar RAL 7035)	0,40 kg

- H:** height
- B:** width
- L:** length
- t:** material thickness
- color:**
- G:** weight

DETAILS / APPLICATIONS

