

RGS 60

cable tray, perforated, heavy, height = 60 mm Maintenance of function - Standard support structures

cable tray, heavy-duty, perforated head shape suitable for positive locking covers with longitudinal and lateral reinforcing rims reducing bottom deflection Electrical conductivity tested according to DIN EN 61537.

This article is available made in material No. 1.4571/1.4404 (V4A) stainless steel finish. Cable load as standard support construction max. 10 kg/m with 1.2 m support spacing. The product can be used for fire protection. For technical parameters, see National Technical Test Certificates (abPs).



Continuously hot galvanized (Sendzimir process) (DIN EN 10346)

Product	H	B	L	t	A	Q _{SK}	G
RGS 60-10S	60 mm	100 mm	3000 mm	1,50 mm	57 cm ²	0,09 kN/m	8,30 kg
RGS 60-20S	60 mm	200 mm	3000 mm	1,50 mm	117 cm ²	0,18 kN/m	11,30 kg
RGS 60-30S	60 mm	300 mm	3000 mm	1,50 mm	177 cm ²	0,27 kN/m	14,60 kg

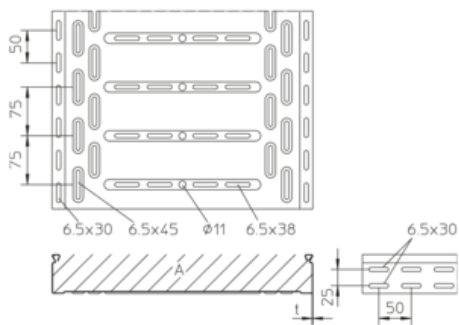
Hot-dip galvanized, according to BS 729 (DIN EN ISO 1461)

Product	H	B	L	t	A	Q _{SK}	G
RGS 60-10F	60 mm	100 mm	3000 mm	1,50 mm	57 cm ²	0,09 kN/m	8,90 kg
RGS 60-20F	60 mm	200 mm	3000 mm	1,50 mm	117 cm ²	0,18 kN/m	12,10 kg
RGS 60-30F	60 mm	300 mm	3000 mm	1,50 mm	177 cm ²	0,27 kN/m	15,60 kg

H: height
B: width
L: length
t: material thickness
A: cross section area
Q_{SK}: distributed load control cable
G: weight



DETAILS / APPLICATIONS



OPTIONAL ACCESSORIES

RB-BS 60, RB-BS45 60, RAA-BS 60, RGV-BS 60, VB-BS



Do not walk upon!

