

RGL 60

cable tray, perforated, permeable to extinguishing water, height = 60 mm

cable tray, light-duty, perforated, head shape suitable for positive locking covers, with longitudinal and lateral reinforcing rims reducing bottom deflection, certified including electrical conductivity according to DIN EN 61537 Permeable cable tray system with 30% hole proportion for use under sprinkler systems in accordance with VdS Directive 2092.

This article is available made in material No. 1.4571/1.4404 (V4A) stainless steel finish.



Continuously hot galvanized (Sendzimir process) (DIN EN 10346)

Product	H	B	L	t	A	Q _{SK}	G
RGL 60-20S	60 mm	200 mm	3000 mm	0,75 mm	117 cm ²	0,18 kN/m	5,12 kg
RGL 60-30S	60 mm	300 mm	3000 mm	0,75 mm	177 cm ²	0,27 kN/m	6,24 kg
RGL 60-40S	60 mm	400 mm	3000 mm	0,88 mm	237 cm ²	0,36 kN/m	8,61 kg
RGL 60-50S	60 mm	500 mm	3000 mm	1,00 mm	297 cm ²	0,45 kN/m	11,25 kg
RGL 60-60S	60 mm	600 mm	3000 mm	1,00 mm	357 cm ²	0,54 kN/m	12,75 kg

Hot-dip galvanized, according to BS 729 (DIN EN ISO 1461)

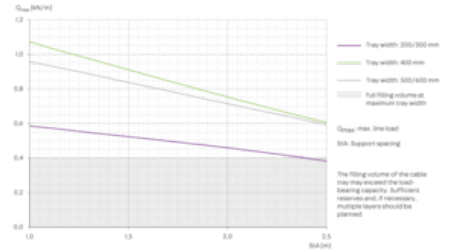
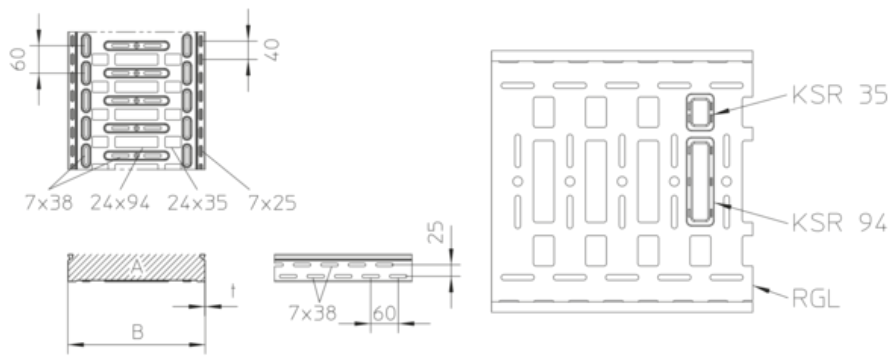
Product	H	B	L	t	A	Q _{SK}	G
RGL 60-20F	60 mm	200 mm	3000 mm	0,75 mm	117 cm ²	0,18 kN/m	5,74 kg
RGL 60-30F	60 mm	300 mm	3000 mm	0,75 mm	177 cm ²	0,27 kN/m	6,99 kg
RGL 60-40F	60 mm	400 mm	3000 mm	0,88 mm	237 cm ²	0,36 kN/m	9,50 kg
RGL 60-50F	60 mm	500 mm	3000 mm	1,00 mm	297 cm ²	0,45 kN/m	12,38 kg
RGL 60-60F	60 mm	600 mm	3000 mm	1,00 mm	357 cm ²	0,54 kN/m	14,02 kg

H: height
B: width
L: length
t: material thickness



A: cross section area
Q_{SK}: distributed load control cable
G: weight

DETAILS / APPLICATIONS



OPTIONAL ACCESSORIES

RB 60, RB45 60, RBV 60, RAE 60, RAA 60, RA 60, RK 60, RVB 60, RR 60, RAB 60, REB, RGV 60, RGVS 60, VB, RTR 60, KSR 35, KSR 94, RKAB, KLR, RD, RDR



Do not walk upon!

