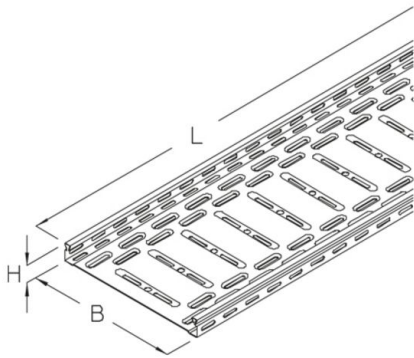


RG 35

cable tray, perforated, height = 35 mm

cable tray perforated, head shape suitable for positive locking covers, with longitudinal and lateral reinforcing rims reducing bottom deflection, certified including electrical conductivity according to DIN EN 61537



Continuously hot galvanized (Sendzimir process) (DIN EN 10346)

Product	H	B	L	t	A	Q _{sk}	G
RG 35-05S	35 mm	50 mm	3000 mm	0,75 mm	15 cm ²	0,02 kN/m	2,62 kg
RG 35-10S	35 mm	100 mm	3000 mm	0,75 mm	32 cm ²	0,05 kN/m	3,50 kg
RG 35-20S	35 mm	200 mm	3000 mm	0,75 mm	67 cm ²	0,10 kN/m	5,20 kg
RG 35-30S	35 mm	300 mm	3000 mm	0,75 mm	102 cm ²	0,15 kN/m	6,00 kg

Hot-dip galvanized, according to BS 729 (DIN EN ISO 1461)

Product	H	B	L	t	A	Q _{sk}	G
RG 35-05F	35 mm	50 mm	3000 mm	0,75 mm	15 cm ²	0,02 kN/m	2,94 kg
RG 35-10F	35 mm	100 mm	3000 mm	0,75 mm	32 cm ²	0,05 kN/m	3,82 kg
RG 35-20F	35 mm	200 mm	3000 mm	0,75 mm	67 cm ²	0,10 kN/m	5,60 kg
RG 35-30F	35 mm	300 mm	3000 mm	0,75 mm	102 cm ²	0,15 kN/m	7,60 kg

H: height

B: width

L: length

t: material thickness

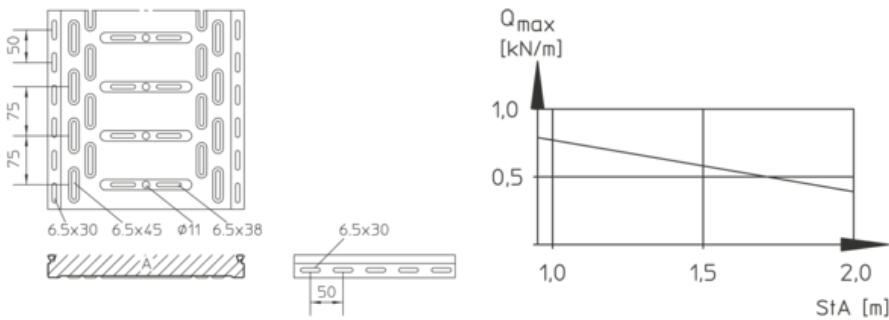
A: cross section area

Q_{sk}: distributed load control cable

G: weight



DETAILS / APPLICATIONS



OPTIONAL ACCESSORIES

RB 35, RB45 35, RBV 35, RAE 35, RAA 35, RA 35, RK 35, RVB 35, RR 35, RAB 35, REB, RGV 35, VB, RTR 35, RKAB, KLR, RD, RDR



Do not walk upon!



UL classified

