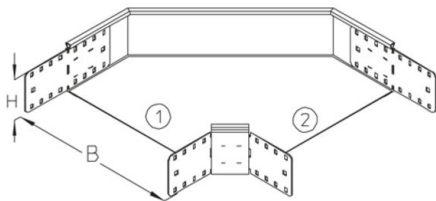


RB 85

cable tray bend, height = 85 mm

cable tray bend 90° for horizontal change of direction with integrated connectors



Continuously hot galvanized (Sendzimir process) (DIN EN 10346)

Product	H	B	G
RB 85-10S	85 mm	100 mm	1,2 kg
incl.: 4x KLR	clamp fastening set		
RB 85-20S	85 mm	200 mm	1,5 kg
incl.: 4x KLR	clamp fastening set		
RB 85-30S	85 mm	300 mm	2 kg
incl.: 4x KLR	clamp fastening set		
RB 85-40S	85 mm	400 mm	2,6 kg
incl.: 4x KLR	clamp fastening set		
RB 85-50S	85 mm	500 mm	3,4 kg
incl.: 4x KLR	clamp fastening set		
RB 85-60S	85 mm	600 mm	4,4 kg
incl.: 4x KLR	clamp fastening set		

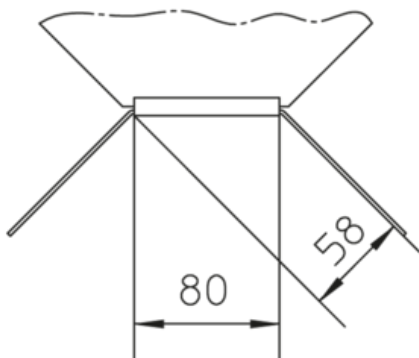
Hot-dip galvanized, according to BS 729 (DIN EN ISO 1461)



Product	H	B	G
RB 85-10F	85 mm	100 mm	1,2 kg
incl.: 4x KLR E clamp fastening set			
RB 85-20F	85 mm	200 mm	1,6 kg
incl.: 4x KLR E clamp fastening set			
RB 85-30F	85 mm	300 mm	2,1 kg
incl.: 4x KLR E clamp fastening set			
RB 85-40F	85 mm	400 mm	2,8 kg
incl.: 4x KLR E clamp fastening set			
RB 85-50F	85 mm	500 mm	3,6 kg
incl.: 4x KLR E clamp fastening set			
RB 85-60F	85 mm	600 mm	4,7 kg
incl.: 4x KLR E clamp fastening set			

H: height
B: width
G: weight

DETAILS / APPLICATIONS



OPTIONAL ACCESSORIES

VB, RBD, RBDR, RTRV 85



UL classified

