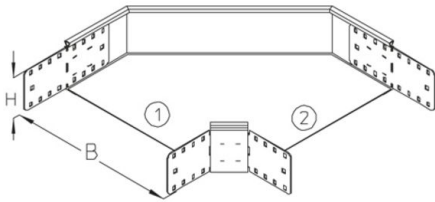


# RB 110

cable tray bend, height = 110 mm

cable tray bend 90° for horizontal change of direction with integrated connectors

This article is available made in material No. 1.4571/1.4404 (V4A) stainless steel finish.



Continuously hot galvanized (Sendzimir process) (DIN EN 10346)

Product	H	B	G
RB 110-10S	110 mm	100 mm	1,6 kg
incl.: 4x KLR	clamp fastening set		
RB 110-20S	110 mm	200 mm	1,9 kg
incl.: 4x KLR	clamp fastening set		
RB 110-30S	110 mm	300 mm	2,4 kg
incl.: 4x KLR	clamp fastening set		
RB 110-40S	110 mm	400 mm	3 kg
incl.: 4x KLR	clamp fastening set		
RB 110-50S	110 mm	500 mm	3,8 kg
incl.: 4x KLR	clamp fastening set		
RB 110-60S	110 mm	600 mm	4,8 kg
incl.: 4x KLR	clamp fastening set		

Hot-dip galvanized, according to BS 729 (DIN EN ISO 1461)



Product	H	B	G
RB 110-10F	110 mm	100 mm	1,7 kg
incl.: 4x KLR E clamp fastening set			
RB 110-20F	110 mm	200 mm	2 kg
incl.: 4x KLR E clamp fastening set			
RB 110-30F	110 mm	300 mm	2,5 kg
incl.: 4x KLR E clamp fastening set			
RB 110-40F	110 mm	400 mm	3,2 kg
incl.: 4x KLR E clamp fastening set			
RB 110-50F	110 mm	500 mm	4,1 kg
incl.: 4x KLR E clamp fastening set			
RB 110-60F	110 mm	600 mm	5,1 kg
incl.: 4x KLR E clamp fastening set			

## Stainless steel, according to ASTM 304 / BS 304 S 3

Product	H	B	G
RB 110-10E	110 mm	100 mm	1,2 kg
incl.: 4x KLR E clamp fastening set			
RB 110-20E	110 mm	200 mm	1,5 kg
incl.: 4x KLR E clamp fastening set			
RB 110-30E	110 mm	300 mm	2 kg
incl.: 4x KLR E clamp fastening set			
RB 110-40E	110 mm	400 mm	2,7 kg
incl.: 4x KLR E clamp fastening set			
RB 110-50E	110 mm	500 mm	3,5 kg

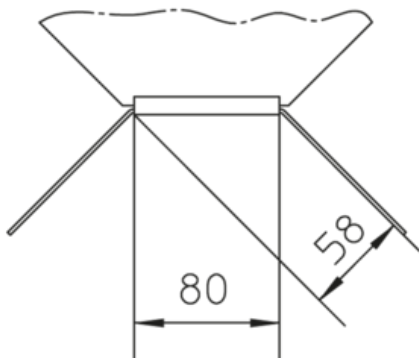
Page 2



Product	H	B	G
incl.: 4x KLR E			
		clamp fastening set	
RB 110-60E	110 mm	600 mm	4,4 kg
incl.: 4x KLR E			
		clamp fastening set	

**H:** height  
**B:** width  
**G:** weight

## DETAILS / APPLICATIONS



## OPTIONAL ACCESSORIES

VB, RBD, RBDR, RTRV 110



UL classified

