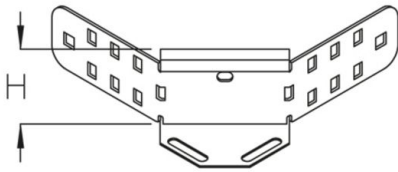


RAE 60

cable tray attachment corner, height = 60 mm



Continuously hot galvanized (Sendzimir process) (DIN EN 10346)

| Product | H | G |
|---------|---------------------|--------|
| RAE 60S | 60 mm | 0,3 kg |
| incl.: | | |
| 3x KLR | clamp fastening set | |

Hot-dip galvanized, according to BS 729 (DIN EN ISO 1461)

| Product | H | G |
|----------|---------------------|--------|
| RAE 60F | 60 mm | 0,3 kg |
| incl.: | | |
| 3x KLR E | clamp fastening set | |

Stainless steel, according to ASTM 304 / BS 304 S 3

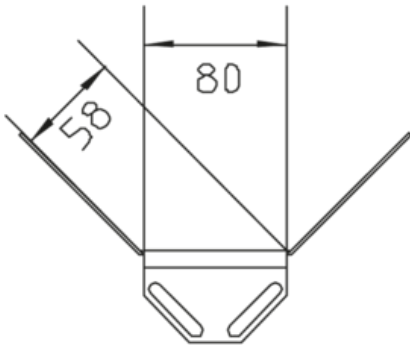
| Product | H | G |
|----------|---------------------|--------|
| RAE 60E | 60 mm | 0,3 kg |
| incl.: | | |
| 3x KLR E | clamp fastening set | |

H: height



G: weight

DETAILS / APPLICATIONS



OPTIONAL ACCESSORIES

VB, RAED, RTRV 60

