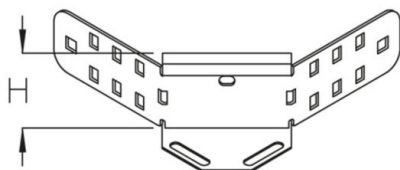


RAE 35

cable tray attachment corner, height = 35 mm



Continuously hot galvanized (Sendzimir process) (DIN EN 10346)

Product	H	G
RAE 35S	35 mm	0,15 kg

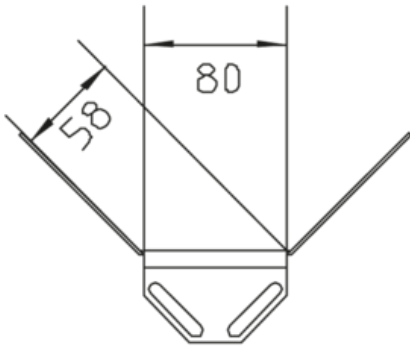
Hot-dip galvanized, according to BS 729 (DIN EN ISO 1461)

Product	H	G
RAE 35F	35 mm	0,17 kg

H: height
G: weight

DETAILS / APPLICATIONS





OPTIONAL ACCESSORIES

VB, RTRV 35

