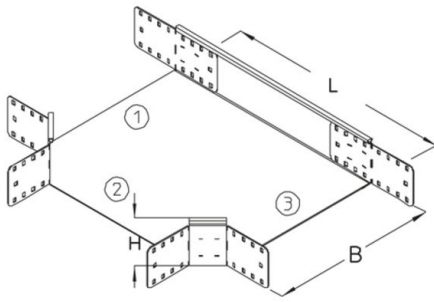


RA 110

cable tray branch, height = 110 mm

cable tray branch in T-shape, integrated connectors

This article is available made in material No. 1.4571/1.4404 (V4A) stainless steel finish.



Continuously hot galvanized (Sendzimir process) (DIN EN 10346)

Product	H	B	L	G
RA 110-10S	110 mm	100 mm	214 mm	2,2 kg
incl.: 6x KLR clamp fastening set				
RA 110-20S	110 mm	200 mm	314 mm	2,9 kg
incl.: 6x KLR clamp fastening set				
RA 110-30S	110 mm	300 mm	414 mm	3,6 kg
incl.: 6x KLR clamp fastening set				
RA 110-40S	110 mm	400 mm	514 mm	4,6 kg
incl.: 6x KLR clamp fastening set				
RA 110-50S	110 mm	500 mm	614 mm	6,3 kg
incl.: 6x KLR clamp fastening set				
RA 110-60S	110 mm	600 mm	714 mm	7,9 kg
incl.: 6x KLR clamp fastening set				

Hot-dip galvanized, according to BS 729 (DIN EN ISO 1461)



Product	H	B	L	G
RA 110-10F	110 mm	100 mm	214 mm	2,4 kg
incl.: 6x KLR E clamp fastening set				
RA 110-20F	110 mm	200 mm	314 mm	3,1 kg
incl.: 6x KLR E clamp fastening set				
RA 110-30F	110 mm	300 mm	414 mm	3,9 kg
incl.: 6x KLR E clamp fastening set				
RA 110-40F	110 mm	400 mm	514 mm	4,9 kg
incl.: 6x KLR E clamp fastening set				
RA 110-50F	110 mm	500 mm	614 mm	6,7 kg
incl.: 6x KLR E clamp fastening set				
RA 110-60F	110 mm	600 mm	714 mm	8,5 kg
incl.: 6x KLR E clamp fastening set				

Stainless steel, according to ASTM 304 / BS 304 S 3

Product	H	B	L	G
RA 110-10E	110 mm	100 mm	214 mm	2 kg
incl.: 6x KLR E clamp fastening set				
RA 110-20E	110 mm	200 mm	314 mm	2,7 kg
incl.: 6x KLR E clamp fastening set				
RA 110-30E	110 mm	300 mm	414 mm	3,3 kg
incl.: 6x KLR E clamp fastening set				
RA 110-40E	110 mm	400 mm	514 mm	4,2 kg
incl.: 6x KLR E clamp fastening set				
RA 110-50E	110 mm	500 mm	614 mm	6,1 kg

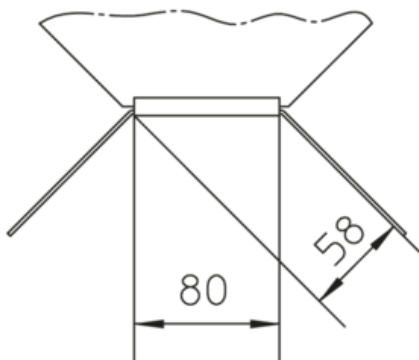
Page 2



Product	H	B	L	G
incl.: 6x KLR E				
		clamp fastening set		
RA 110-60E	110 mm	600 mm	714 mm	7,6 kg
incl.: 6x KLR E				
		clamp fastening set		

H: height
B: width
L: length
G: weight

DETAILS / APPLICATIONS



OPTIONAL ACCESSORIES

VB, RAD, RADR, RTRV 110



UL classified

