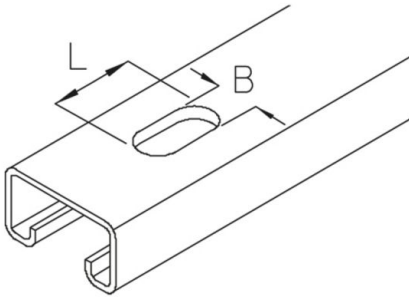


## LGL

elongated hole

For detailed explanations, see the chapter planning.



Product	B	L
LGL 9X20	9 mm	20 mm
LGL 11X24	11 mm	24 mm

Product	B	L
LGL 11X24	11 mm	24 mm
LGL 13X26	13 mm	26 mm

Product	B	L
LGL 13X26	13 mm	26 mm

**B:** width  
**L:** length

