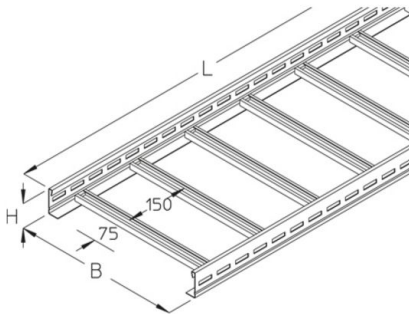


LGG-BS 60

cable ladder, L-profile, height = 60 mm Maintenance of function - Standard support structures



Cable ladder with continuously perforated side beams. Welded rungs made of profile rail 30x15 mm. Electrical conductivity tested according to DIN EN 61537.

The products can be used for fire protection. Cable load as standard support construction max. 20 kg/m with 1.2 m support spacing. For technical parameters, see National Technical Test Certificates (abPs).



Continuously hot galvanized (Sendzimir process) (DIN EN 10346)

| Product | H | B | L | G |
|-----------------|-------|--------|---------|---------|
| LGG-BS 60-20-3S | 60 mm | 200 mm | 3000 mm | 9,9 kg |
| LGG-BS 60-30-3S | 60 mm | 300 mm | 3000 mm | 11,4 kg |
| LGG-BS 60-40-3S | 60 mm | 400 mm | 3000 mm | 12,9 kg |
| LGG-BS 60-20-6S | 60 mm | 200 mm | 6000 mm | 19,8 kg |
| LGG-BS 60-30-6S | 60 mm | 300 mm | 6000 mm | 22,7 kg |
| LGG-BS 60-40-6S | 60 mm | 400 mm | 6000 mm | 25,7 kg |

Hot-dip galvanized, according to BS 729 (DIN EN ISO 1461)

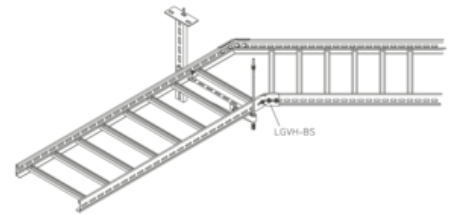
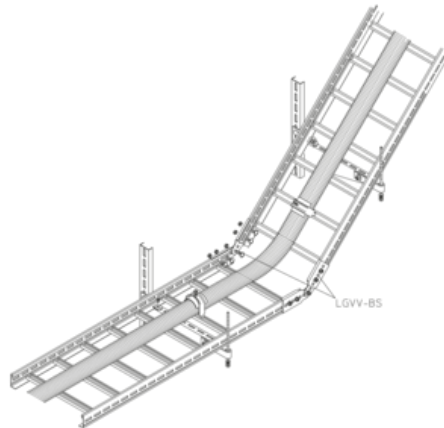
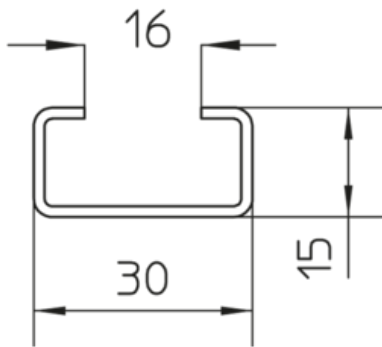
| Product | H | B | L | G |
|-----------------|-------|--------|---------|---------|
| LGG-BS 60-20-3F | 60 mm | 200 mm | 3000 mm | 10,7 kg |
| LGG-BS 60-30-3F | 60 mm | 300 mm | 3000 mm | 12,3 kg |
| LGG-BS 60-40-3F | 60 mm | 400 mm | 3000 mm | 13,9 kg |
| LGG-BS 60-20-6F | 60 mm | 200 mm | 6000 mm | 21,4 kg |
| LGG-BS 60-30-6F | 60 mm | 300 mm | 6000 mm | 25,5 kg |
| LGG-BS 60-40-6F | 60 mm | 400 mm | 6000 mm | 27,7 kg |

H: height



B: width
L: length
G: weight

DETAILS / APPLICATIONS



OPTIONAL ACCESSORIES

LGIB-BS 60, LGV-BS 60, LGVH-BS 60, LGVV-BS 60, KLU



Do not walk upon!

