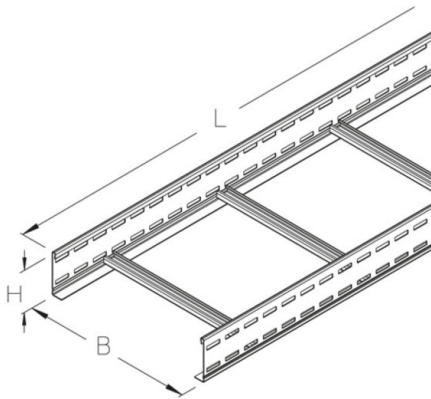


## LGG 100

cable ladder, L-profile, height = 100 mm



Cable ladder with continuously perforated side beams. Welded rungs made of profile rail 30x15 mm. Electrical conductivity tested according to DIN EN 61537.

This article is available made in material No. 1.4571/1.4404 (V4A) stainless steel finish.



### Continuously hot galvanized (Sendzimir process) (DIN EN 10346)

Product	H	B	L	A	Q <sub>LK</sub>	G
LGG 100-20-3S	100 mm	200 mm	3000 mm	161 cm <sup>2</sup>	0,45 kN/m	10,37 kg
LGG 100-30-3S	100 mm	300 mm	3000 mm	242 cm <sup>2</sup>	0,68 kN/m	11,06 kg
LGG 100-40-3S	100 mm	400 mm	3000 mm	322 cm <sup>2</sup>	0,9 kN/m	11,75 kg
LGG 100-50-3S	100 mm	500 mm	3000 mm	403 cm <sup>2</sup>	1,13 kN/m	12,43 kg
LGG 100-60-3S	100 mm	600 mm	3000 mm	483 cm <sup>2</sup>	1,35 kN/m	13,12 kg
LGG 100-20S	100 mm	200 mm	6000 mm	161 cm <sup>2</sup>	0,45 kN/m	20,75 kg
LGG 100-30S	100 mm	300 mm	6000 mm	242 cm <sup>2</sup>	0,68 kN/m	22,12 kg
LGG 100-40S	100 mm	400 mm	6000 mm	322 cm <sup>2</sup>	0,9 kN/m	23,49 kg
LGG 100-50S	100 mm	500 mm	6000 mm	403 cm <sup>2</sup>	1,13 kN/m	24,87 kg
LGG 100-60S	100 mm	600 mm	6000 mm	483 cm <sup>2</sup>	1,35 kN/m	26,24 kg

### Hot-dip galvanized, according to BS 729 (DIN EN ISO 1461)

Product	H	B	L	A	Q <sub>LK</sub>	G
LGG 100-20-3F	100 mm	200 mm	3000 mm	161 cm <sup>2</sup>	0,45 kN/m	11,1 kg
LGG 100-30-3F	100 mm	300 mm	3000 mm	242 cm <sup>2</sup>	0,68 kN/m	11,83 kg
LGG 100-40-3F	100 mm	400 mm	3000 mm	322 cm <sup>2</sup>	0,9 kN/m	12,57 kg
LGG 100-50-3F	100 mm	500 mm	3000 mm	403 cm <sup>2</sup>	1,13 kN/m	13,3 kg
LGG 100-60-3F	100 mm	600 mm	3000 mm	483 cm <sup>2</sup>	1,35 kN/m	14,04 kg
LGG 100-20F	100 mm	200 mm	6000 mm	161 cm <sup>2</sup>	0,45 kN/m	22,2 kg



Product	H	B	L	A	Q <sub>LK</sub>	G
LGG 100-30F	100 mm	300 mm	6000 mm	242 cm <sup>2</sup>	0,68 kN/m	23,67 kg
LGG 100-40F	100 mm	400 mm	6000 mm	322 cm <sup>2</sup>	0,9 kN/m	25,14 kg
LGG 100-50F	100 mm	500 mm	6000 mm	403 cm <sup>2</sup>	1,13 kN/m	26,61 kg
LGG 100-60F	100 mm	600 mm	6000 mm	483 cm <sup>2</sup>	1,35 kN/m	28,08 kg

## Stainless steel, according to ASTM 304 / BS 304 S 3

Product	H	B	L	A	Q <sub>LK</sub>	G
LGG 100-20-3E	100 mm	200 mm	3000 mm	161 cm <sup>2</sup>	0,45 kN/m	10,44 kg
LGG 100-30-3E	100 mm	300 mm	3000 mm	242 cm <sup>2</sup>	0,68 kN/m	11,13 kg
LGG 100-40-3E	100 mm	400 mm	3000 mm	322 cm <sup>2</sup>	0,9 kN/m	11,82 kg
LGG 100-50-3E	100 mm	500 mm	3000 mm	403 cm <sup>2</sup>	1,13 kN/m	12,51 kg
LGG 100-60-3E	100 mm	600 mm	3000 mm	483 cm <sup>2</sup>	1,35 kN/m	13,2 kg
LGG 100-20E	100 mm	200 mm	6000 mm	161 cm <sup>2</sup>	0,45 kN/m	20,88 kg
LGG 100-30E	100 mm	300 mm	6000 mm	242 cm <sup>2</sup>	0,68 kN/m	22,26 kg
LGG 100-40E	100 mm	400 mm	6000 mm	322 cm <sup>2</sup>	0,9 kN/m	23,64 kg
LGG 100-50E	100 mm	500 mm	6000 mm	403 cm <sup>2</sup>	1,13 kN/m	25,03 kg
LGG 100-60E	100 mm	600 mm	6000 mm	483 cm <sup>2</sup>	1,35 kN/m	26,41 kg

**H:** height

**B:** width

**L:** length

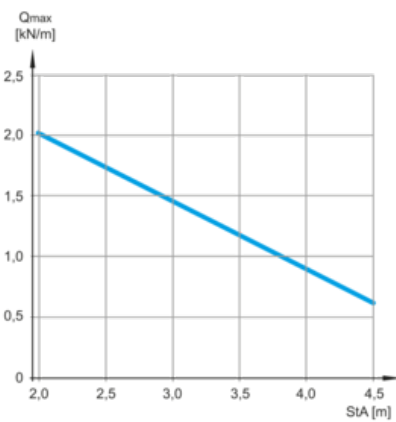
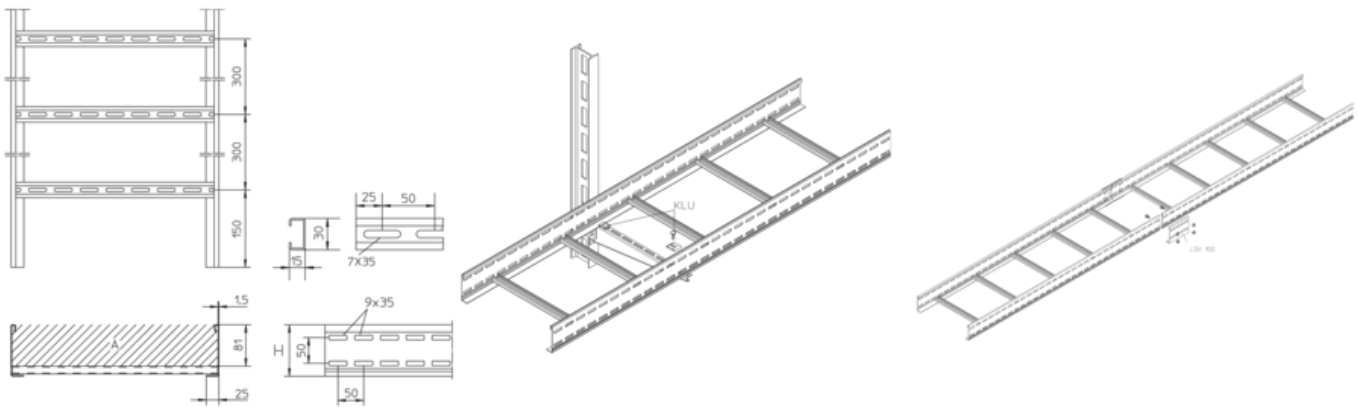
**A:** cross section area

**Q<sub>LK</sub>:** distributed load power cable

**G:** weight

## DETAILS / APPLICATIONS





## OPTIONAL ACCESSORIES

LGIB 100, LGAB 100, LGAA 100, LGA 100, LGK 100, LGVB 100, LGV 100, LGVH 100, LGVV 100, LGTR 100, SL 100, LGKAB, KLU, H, LD, LDR



Do not walk upon!



UL classified

