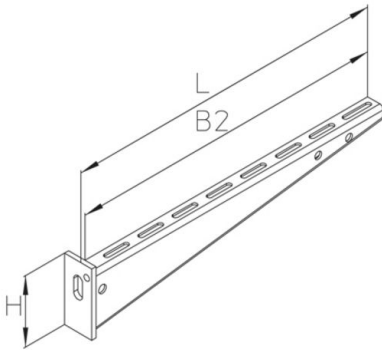


KW-BS

wall bracket, standard Maintenance of function - Standard support structures

Wall bracket, standard version. For mounting on walls. With mounting option for adapter and additional threaded rod suspension. support distance max. 1.2 m. Certified according to DIN 4102-12.

The products can be used for fire protection. For technical parameters, see National Technical Test Certificates (abPs).



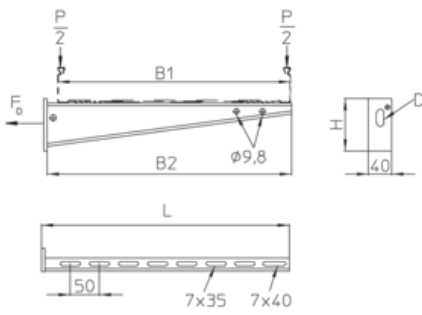
Hot-dip galvanized, according to BS 729 (DIN EN ISO 1461)

Product	H	B1	B2	L	G
KW-BS 010F	45 mm	100 mm	115 mm	124 mm	0,13 kg
KW-BS 020F	70 mm	200 mm	215 mm	225 mm	0,32 kg
KW-BS 030F	70 mm	300 mm	315 mm	326 mm	0,44 kg
KW-BS 040F	90 mm	400 mm	415 mm	426 mm	0,79 kg

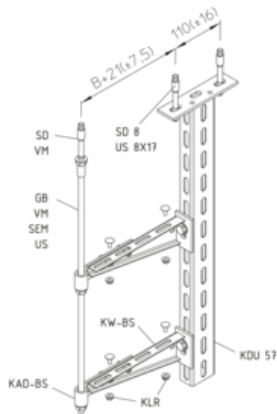
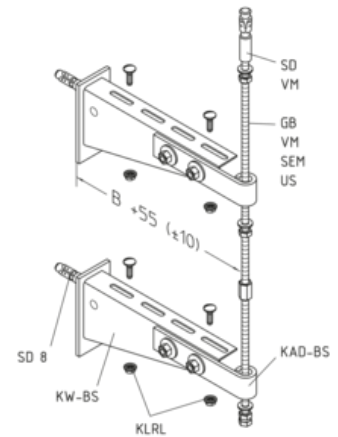
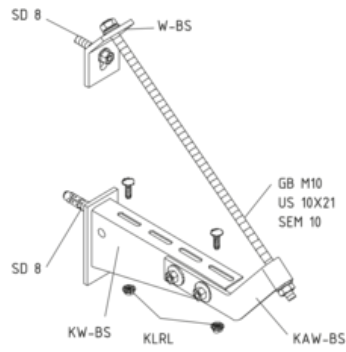
H: height
B1: width
B2: width
L: length
G: weight

DETAILS / APPLICATIONS





L < 220, D=11x20
L >= 220, D=13x30



OPTIONAL ACCESSORIES

KAD-BS, KAW-BS, W-BS, SD, SAZ, KLU, KLR, GB, VM

