

KW

wall/handle bracket, standard

Wall/handle bracket, standard version, with welded-on back plate. Certified according to DIN EN 61537. For mounting on walls or hanging struts.

F_D/P : coefficient for calculation of the dowel load F_D with effective bracket load P respectively the sum of effective bracket loads. The load specifications are only valid with sufficient anchoring to the load-bearing substrate or with proper installation on hanging struts.

galvanized, according to DIN EN ISO 19598 / DIN EN ISO 2081

Product	H	B1	B2	L	P_{max}	F_D/P	G
KW 010GV	45 mm	100 mm	115 mm	124 mm	1,4 kN	3,10	0,12 kg
KW 020GV	70 mm	200 mm	215 mm	225 mm	2,0 kN	3,00	0,30 kg
KW 030GV	70 mm	300 mm	315 mm	326 mm	2,0 kN	4,00	0,41 kg
KW 040GV	90 mm	400 mm	415 mm	426 mm	2,4 kN	3,60	0,70 kg
KW 050GV	110 mm	500 mm	515 mm	528 mm	2,1 kN	3,40	1,24 kg
KW 060GV	110 mm	600 mm	615 mm	628 mm	2,1 kN	4,00	1,45 kg
KW 070GV	110 mm	700 mm	715 mm	728 mm	3,0 kN	5,68	2,12 kg

Hot-dip galvanized, according to BS 729 (DIN EN ISO 1461)

Product	H	B1	B2	L	P_{max}	F_D/P	G
KW 010F	45 mm	100 mm	115 mm	124 mm	1,4 kN	3,10	0,13 kg
KW 015F	45 mm	150 mm	170 mm	174 mm	1,4 kN	4,10	0,17 kg
KW 020F	70 mm	200 mm	215 mm	225 mm	2,0 kN	3,00	0,32 kg
KW 030F	70 mm	300 mm	315 mm	326 mm	2,0 kN	4,00	0,44 kg
KW 040F	90 mm	400 mm	415 mm	426 mm	2,4 kN	3,60	0,80 kg
KW 050F	110 mm	500 mm	515 mm	528 mm	2,1 kN	3,40	1,33 kg
KW 060F	110 mm	600 mm	615 mm	628 mm	2,1 kN	4,00	1,55 kg
KW 070F	110 mm	700 mm	715 mm	728 mm	3,0 kN	5,68	2,27 kg



Stainless steel, according to ASTM 304 / BS 304 S 3

Product	H	B1	B2	L	P _{max}	F _D /P	G
KW 010E	45 mm	100 mm	115 mm	124 mm	1,5 kN	3,10	0,13 kg
KW 015E	45 mm	150 mm	170 mm	174 mm	1,5 kN	4,10	0,16 kg
KW 020E	70 mm	200 mm	215 mm	225 mm	1,5 kN	3,00	0,39 kg
KW 030E	70 mm	300 mm	315 mm	326 mm	1,5 kN	4,00	0,47 kg
KW 040E	90 mm	400 mm	415 mm	426 mm	2,2 kN	3,60	0,76 kg
KW 050E	110 mm	500 mm	515 mm	528 mm	2,2 kN	3,40	1,08 kg
KW 060E	110 mm	600 mm	615 mm	628 mm	2,2 kN	4,00	1,25 kg

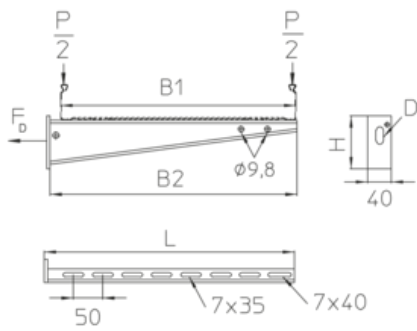
Stainless steel, according to ASTM 31 Ti / AISI 316 L, BS 320S17 / BS 316S11

Product	H	B1	B2	L	P _{max}	F _D /P	G
KW 010E4	45 mm	100 mm	115 mm	124 mm	1,5 kN	3,10	0,15 kg
KW 015E4	45 mm	150 mm	170 mm	174 mm	1,5 kN	4,10	0,16 kg
KW 020E4	70 mm	200 mm	215 mm	225 mm	1,5 kN	3,00	0,31 kg
KW 030E4	70 mm	300 mm	315 mm	326 mm	1,5 kN	4,00	0,42 kg
KW 040E4	90 mm	400 mm	415 mm	426 mm	2,2 kN	3,60	0,73 kg
KW 050E4	110 mm	500 mm	515 mm	528 mm	2,2 kN	3,40	1,10 kg
KW 060E4	110 mm	600 mm	615 mm	628 mm	2,2 kN	4,00	1,26 kg

H: height
B1: width
B2: width
L: length
P_{max}: Maximum load
F_D/P: dowel-to-anchor load
G: weight

DETAILS / APPLICATIONS





L < 220, D=φ11
L ≥ 220, D=13x30

OPTIONAL ACCESSORIES

SD, KDU 57, KLU, KLR

