

KTS

bracket, heavy, KDI/KHI

bracket, heavy building class, for ceiling bracket support profile I 80, certified according to DIN EN 61357/VDE 0639.

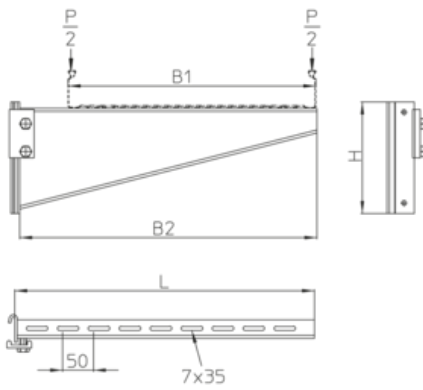
Hot-dip galvanized, according to BS 729 (DIN EN ISO 1461)

Product	H	B1	B2	L	P _{max}	G
KTS 020F	180 mm	200 mm	280 mm	284 mm	7,0 kN	1,63 kg
KTS 030F	180 mm	300 mm	380 mm	384 mm	6,3 kN	1,99 kg
KTS 040F	180 mm	400 mm	480 mm	484 mm	5,5 kN	2,36 kg
KTS 050F	180 mm	500 mm	580 mm	584 mm	4,9 kN	2,73 kg
KTS 060F	180 mm	600 mm	680 mm	684 mm	4,3 kN	3,09 kg
KTS 070F	180 mm	600 mm	780 mm	784 mm	3,6 kN	3,46 kg
KTS 080F	180 mm	600 mm	880 mm	884 mm	3,0 kN	3,81 kg
KTS 090F	180 mm	600 mm	980 mm	984 mm	2,3 kN	4,18 kg
KTS 100F	180 mm	600 mm	1080 mm	1084 mm	1,7 kN	4,55 kg

H: height
B1: width
B2: width
L: length
P_{max}: Maximum load
G: weight

DETAILS / APPLICATIONS





OPTIONAL ACCESSORIES

WPHS-K, KLU

