

## KT

bracket, standard, KDI/KHI

bracket, standard building class, for ceiling bracket support profile I 80, certified according to DIN EN 61357/VDE 0639.

galvanized, according to DIN EN ISO 19598 / DIN EN ISO 2081

| Product  | H      | B1     | B2     | L      | P <sub>max</sub> | G       |
|----------|--------|--------|--------|--------|------------------|---------|
| KT 010GV | 50 mm  | 100 mm | 120 mm | 124 mm | 2,0 kN           | 0,24 kg |
| KT 020GV | 70 mm  | 200 mm | 220 mm | 224 mm | 2,0 kN           | 0,46 kg |
| KT 030GV | 70 mm  | 300 mm | 320 mm | 324 mm | 2,0 kN           | 0,56 kg |
| KT 040GV | 90 mm  | 400 mm | 420 mm | 424 mm | 2,0 kN           | 0,90 kg |
| KT 050GV | 110 mm | 500 mm | 520 mm | 524 mm | 2,0 kN           | 1,34 kg |
| KT 060GV | 110 mm | 600 mm | 620 mm | 624 mm | 2,1 kN           | 1,55 kg |

Hot-dip galvanized, according to BS 729 (DIN EN ISO 1461)

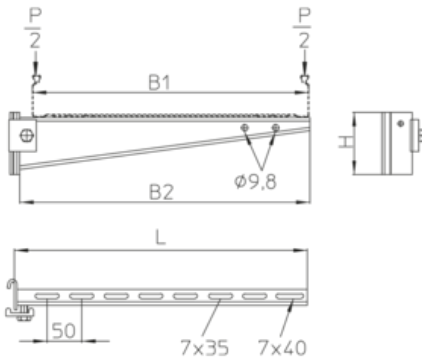
| Product | H      | B1     | B2     | L      | P <sub>max</sub> | G       |
|---------|--------|--------|--------|--------|------------------|---------|
| KT 010F | 50 mm  | 100 mm | 120 mm | 124 mm | 2,0 kN           | 0,24 kg |
| KT 020F | 70 mm  | 200 mm | 220 mm | 224 mm | 2,0 kN           | 0,56 kg |
| KT 030F | 70 mm  | 300 mm | 320 mm | 324 mm | 2,0 kN           | 0,77 kg |
| KT 040F | 90 mm  | 400 mm | 420 mm | 424 mm | 2,0 kN           | 0,87 kg |
| KT 050F | 110 mm | 500 mm | 520 mm | 524 mm | 2,0 kN           | 1,40 kg |
| KT 060F | 110 mm | 600 mm | 620 mm | 624 mm | 2,1 kN           | 1,55 kg |

H: height  
B1: width  
B2: width



**L:** length  
**P<sub>max</sub>:** Maximum load  
**G:** weight

## DETAILS / APPLICATIONS



## OPTIONAL ACCESSORIES

KLU, KLR

