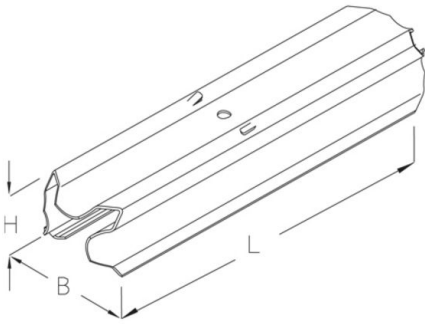


KPV

connector for KPR



Continuously hot galvanized (Sendzimir process) (DIN EN 10346)

Product	H	B	L	t	G
KPV	37 mm	37 mm	300 mm	1,00 mm	0,31 kg

H: height
B: width
L: length
t: material thickness
G: weight

DETAILS / APPLICATIONS

