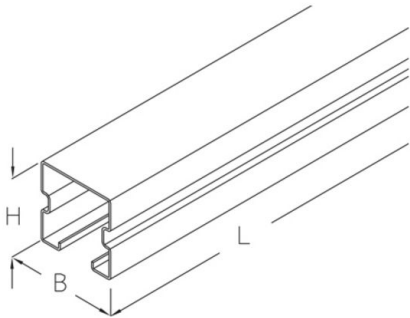


KPR 40

support rail for light fittings



Continuously hot galvanized (Sendzimir process) (DIN EN 10346)

Product	H	B	L	t	G
KPR 40-3	40 mm	40 mm	3000 mm	1,50 mm	5,4 kg
KPR 40	40 mm	40 mm	6000 mm	1,50 mm	10,8 kg

H: height
B: width
L: length
t: material thickness
G: weight

DETAILS / APPLICATIONS

