

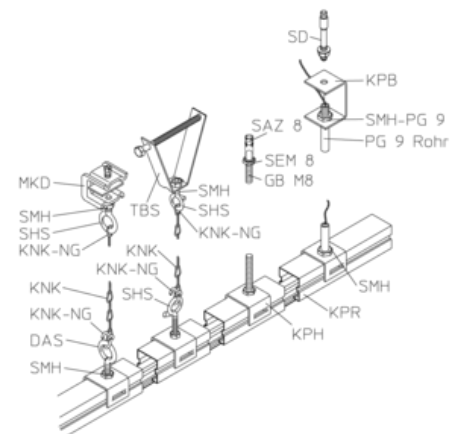
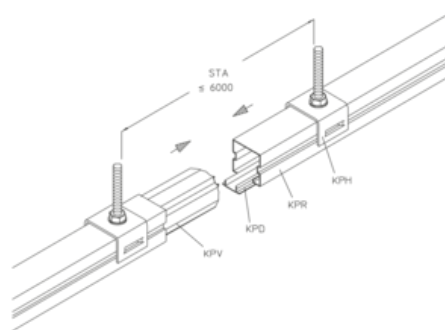
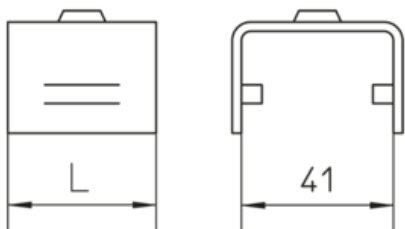
KPH
holding clip

Hot-dip galvanized, according to BS 729 (DIN EN ISO 1461)

Product	B	L	D	G
KPH-PG 9	46 mm	40 mm	PG 9 mm	0,06 kg

B: width
L: length
D: diameter
G: weight

DETAILS / APPLICATIONS



OPTIONAL ACCESSORIES

DAS, SHS

