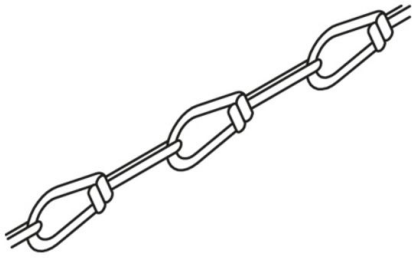


**KNK**  
chain

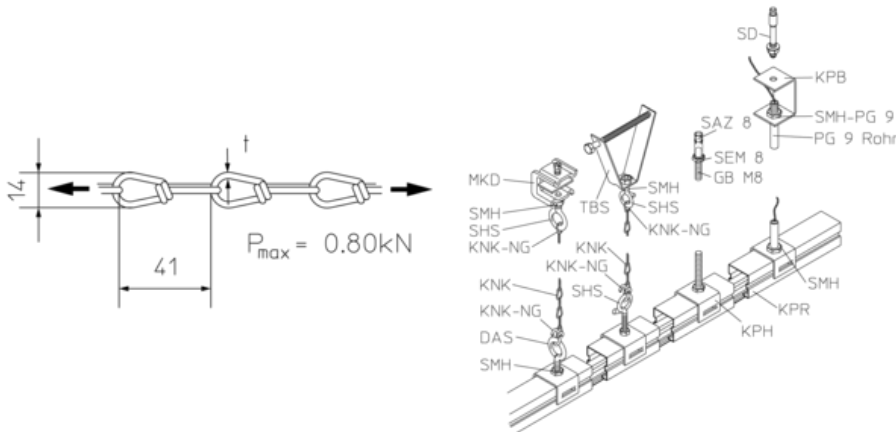


galvanized, according to DIN EN ISO 19598 / DIN EN ISO 2081

Product	t	G
KNK	3,10 mm	0,2 kg/m

t: material thickness  
G: weight

DETAILS / APPLICATIONS



## OPTIONAL ACCESSORIES

KNK-NG

