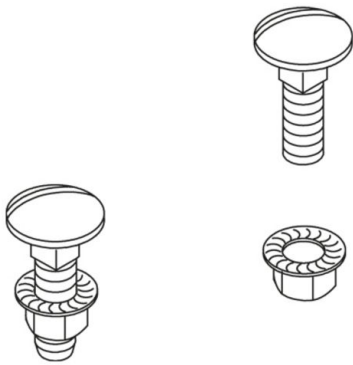


**KLRL**  
fixing set, long  
Set



Continuously hot galvanized (Sendzimir process) (DIN EN 10346)

Product	G
KLRL	1,60 kg/100
incl.:	
2x FRSV 6X16	round-head screw with short square, DIN 603
2x SEMS 6	hexagon-nut with flange, DIN EN 1661

Stainless steel, according to ASTM 304 / BS 304 S 3

Product	G
KLRL E	1,8 kg/100
incl.:	
2x FRSV 6X16E	round-head screw with short square, DIN 603
2x SEMS 6E	hexagon-nut with flange, DIN EN 1661

**G:** weight

