

KISS

bracket, very heavy

Wall bracket, very heavy-duty version. For stepless clamping to steel structures such as T-beams and double-T-beams. Especially suitable for wide-span cable trays.

F_D/P : coefficient for calculation of the dowel load F_D with effective bracket load P respectively the sum of effective bracket loads. The load specifications are only valid with sufficient anchoring to the load-bearing substrate or with proper installation.

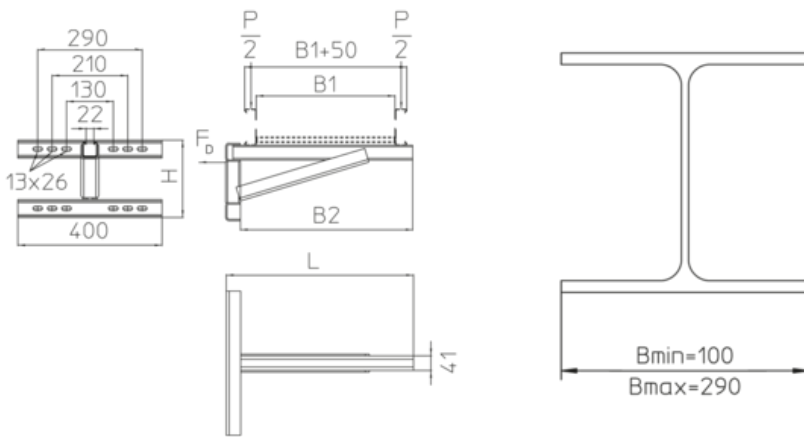
Hot-dip galvanized, according to BS 729 (DIN EN ISO 1461)

Product	H	B1	B2	L	P_{max}	F_D/P	G
KISS 020F	150 mm	200 mm	275 mm	210 mm	10 kN	0,93	4,66 kg
KISS 030F	185 mm	300 mm	375 mm	420 mm	10 kN	0,91	5,42 kg
KISS 040F	215 mm	400 mm	475 mm	520 mm	10 kN	0,92	6,17 kg
KISS 050F	250 mm	500 mm	575 mm	620 mm	10 kN	0,92	6,93 kg
KISS 060F	280 mm	600 mm	675 mm	720 mm	10 kN	0,92	7,70 kg
KISS 070F	315 mm	700 mm	775 mm	820 mm	10 kN	0,99	8,44 kg
KISS 080F	345 mm	800 mm	875 mm	920 mm	10 kN	1,06	9,21 kg
KISS 090F	380 mm	900 mm	975 mm	1020 mm	10 kN	1,10	9,96 kg
KISS 100F	410 mm	1000 mm	1075 mm	1120 mm	10 kN	1,15	10,71 kg

- H: height
- B1: width
- B2: width
- L: length
- P_{max} : Maximum load
- F_D/P : dowel-to-anchor load
- G: weight

DETAILS / APPLICATIONS





OPTIONAL ACCESSORIES

WPHS-A, SKS M

