

KIS

wall bracket, heavy

Wall bracket, heavy-duty version. For stepless clamping to steel structures such as T-beams and double-T-beams. Especially suitable for wide-span cable trays.

F_D/P : coefficient for calculation of the dowel load F_D with effective bracket load P respectively the sum of effective bracket loads. The load specifications are only valid with sufficient anchoring to the load-bearing substrate or with proper installation.

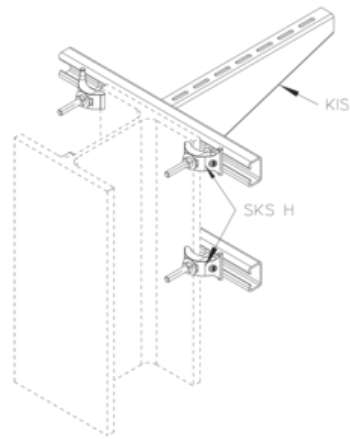
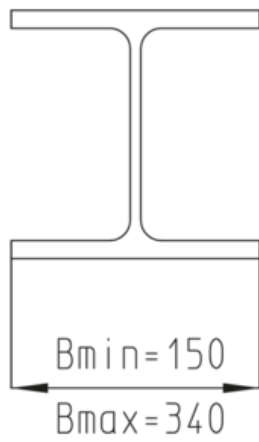
Hot-dip galvanized, according to BS 729 (DIN EN ISO 1461)

Product	H	B1	B2	L	P_{max}	F_D/P	G
KIS 020F	265 mm	200 mm	275 mm	310 mm	7,0 kN	0,66	4,32 kg
KIS 030F	265 mm	300 mm	375 mm	410 mm	6,7 kN	0,76	4,65 kg
KIS 040F	265 mm	400 mm	475 mm	510 mm	6,5 kN	0,86	5,00 kg
KIS 050F	265 mm	500 mm	575 mm	610 mm	6,3 kN	0,97	5,34 kg
KIS 060F	265 mm	600 mm	675 mm	710 mm	6,1 kN	1,09	5,68 kg
KIS 070F	265 mm	700 mm	775 mm	810 mm	5,2 kN	1,33	6,02 kg
KIS 080F	265 mm	800 mm	875 mm	910 mm	4,4 kN	1,57	6,36 kg
KIS 090F	265 mm	900 mm	975 mm	1010 mm	3,6 kN	1,83	6,70 kg
KIS 100F	265 mm	1000 mm	1075 mm	1110 mm	2,8 kN	2,08	7,04 kg

- H: height
- B1: width
- B2: width
- L: length
- P_{max} : Maximum load
- F_D/P : dowel-to-anchor load
- G: weight

DETAILS / APPLICATIONS





OPTIONAL ACCESSORIES

SKS H

