



KHU 57

bracket support, 57x30mm

Bracket support, U-profile 57x30x2.5 mm, continuously three-way perforated.

Higher loads can be achieved by using the support piece.

galvanized, according to DIN EN ISO 19598 / DIN EN ISO 2081

Product	H	B	L	G
KHU 57-30GV	30 mm	57 mm	3000 mm	5,09 kg

Continuously hot galvanized (Sendzimir process) (DIN EN 10346)

Product	H	B	L	G
KHU 57-02S	30 mm	57 mm	200 mm	0,34 kg
KHU 57-03S	30 mm	57 mm	300 mm	0,51 kg
KHU 57-04S	30 mm	57 mm	400 mm	0,68 kg
KHU 57-05S	30 mm	57 mm	500 mm	0,85 kg
KHU 57-06S	30 mm	57 mm	600 mm	1,02 kg
KHU 57-07S	30 mm	57 mm	700 mm	1,19 kg
KHU 57-08S	30 mm	57 mm	800 mm	1,36 kg
KHU 57-09S	30 mm	57 mm	900 mm	1,53 kg
KHU 57-10S	30 mm	57 mm	1000 mm	1,70 kg
KHU 57-11S	30 mm	57 mm	1100 mm	1,87 kg
KHU 57-12S	30 mm	57 mm	1200 mm	2,04 kg
KHU 57-13S	30 mm	57 mm	1300 mm	2,21 kg
KHU 57-14S	30 mm	57 mm	1400 mm	2,38 kg
KHU 57-15S	30 mm	57 mm	1500 mm	2,55 kg
KHU 57-30S	30 mm	57 mm	3000 mm	5,09 kg

Page.1



Product	H	B	L	G
KHU 57-60S	30 mm	57 mm	6000 mm	10,18 kg

Hot-dip galvanized, according to BS 729 (DIN EN ISO 1461)

Product	H	B	L	G
KHU 57-02F	30 mm	57 mm	200 mm	0,36 kg
KHU 57-03F	30 mm	57 mm	300 mm	0,55 kg
KHU 57-04F	30 mm	57 mm	400 mm	0,73 kg
KHU 57-05F	30 mm	57 mm	500 mm	0,91 kg
KHU 57-06F	30 mm	57 mm	600 mm	1,09 kg
KHU 57-07F	30 mm	57 mm	700 mm	1,27 kg
KHU 57-08F	30 mm	57 mm	800 mm	1,45 kg
KHU 57-09F	30 mm	57 mm	900 mm	1,63 kg
KHU 57-10F	30 mm	57 mm	1000 mm	1,82 kg
KHU 57-11F	30 mm	57 mm	1100 mm	2,00 kg
KHU 57-12F	30 mm	57 mm	1200 mm	2,18 kg
KHU 57-13F	30 mm	57 mm	1300 mm	2,36 kg
KHU 57-14F	30 mm	57 mm	1400 mm	2,54 kg
KHU 57-15F	30 mm	57 mm	1500 mm	2,72 kg
KHU 57-30F	30 mm	57 mm	3000 mm	5,45 kg
KHU 57-60F	30 mm	57 mm	6000 mm	10,89 kg

Stainless steel, according to ASTM 304 / BS 304 S 3

Product	H	B	L	G
KHU 57-02E	30 mm	57 mm	200 mm	0,34 kg
KHU 57-03E	30 mm	57 mm	300 mm	0,51 kg
KHU 57-04E	30 mm	57 mm	400 mm	0,68 kg
KHU 57-05E	30 mm	57 mm	500 mm	0,85 kg
KHU 57-06E	30 mm	57 mm	600 mm	1,03 kg
KHU 57-07E	30 mm	57 mm	700 mm	1,20 kg
KHU 57-08E	30 mm	57 mm	800 mm	1,37 kg

Page 2



Product	H	B	L	G
KHU 57-09E	30 mm	57 mm	900 mm	1,54 kg
KHU 57-10E	30 mm	57 mm	1000 mm	1,71 kg
KHU 57-11E	30 mm	57 mm	1100 mm	1,88 kg
KHU 57-12E	30 mm	57 mm	1200 mm	2,05 kg
KHU 57-13E	30 mm	57 mm	1300 mm	2,22 kg
KHU 57-14E	30 mm	57 mm	1400 mm	2,39 kg
KHU 57-15E	30 mm	57 mm	1500 mm	2,56 kg
KHU 57-30E	30 mm	57 mm	3000 mm	5,12 kg
KHU 57-60E	30 mm	57 mm	6000 mm	10,25 kg

Stainless steel, according to ASTM 31 Ti / AISI 316 L, BS 320S17 / BS 316S11

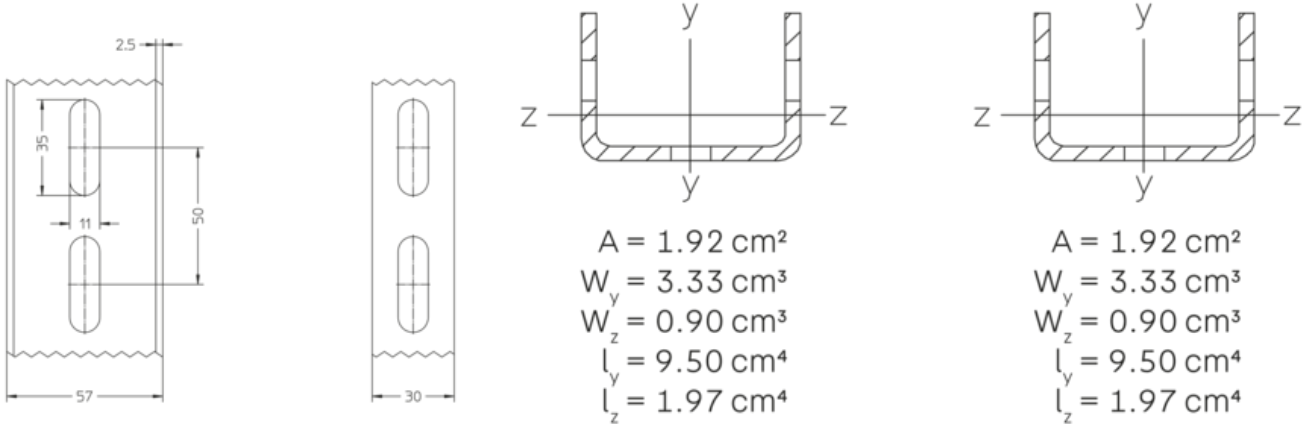
Product	H	B	L	G
KHU 57-02E4	30 mm	57 mm	200 mm	0,35 kg
KHU 57-03E4	30 mm	57 mm	300 mm	0,52 kg
KHU 57-04E4	30 mm	57 mm	400 mm	0,69 kg
KHU 57-05E4	30 mm	57 mm	500 mm	0,87 kg
KHU 57-06E4	30 mm	57 mm	600 mm	1,04 kg
KHU 57-07E4	30 mm	57 mm	700 mm	1,21 kg
KHU 57-08E4	30 mm	57 mm	800 mm	1,38 kg
KHU 57-09E4	30 mm	57 mm	900 mm	1,56 kg
KHU 57-10E4	30 mm	57 mm	1000 mm	1,73 kg
KHU 57-11E4	30 mm	57 mm	1100 mm	1,90 kg
KHU 57-12E4	30 mm	57 mm	1200 mm	2,08 kg
KHU 57-13E4	30 mm	57 mm	1300 mm	2,25 kg
KHU 57-14E4	30 mm	57 mm	1400 mm	2,42 kg
KHU 57-15E4	30 mm	57 mm	1500 mm	2,59 kg
KHU 57-30E4	30 mm	57 mm	3000 mm	5,19 kg
KHU 57-60E4	30 mm	57 mm	6000 mm	10,38 kg

H: height
B: width
L: length



G: weight

DETAILS / APPLICATIONS



OPTIONAL ACCESSORIES

BGU 57, KWF, KW, KWMS, KDU 57, KHUV 57, KHUSS 57, SU 57, BGUD, BGUDW

