

KHA 42

profile rail 41x42 mm, perforated

profile rail 41x42x2.50 mm, with continuous perforation 14x30, welded back to back, slot size 22 mm

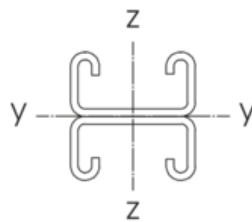
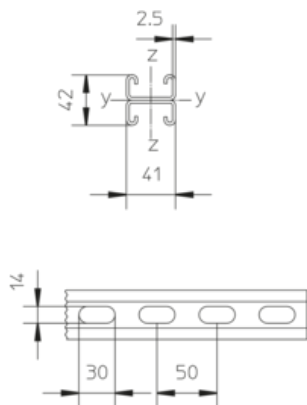
This article is available made in material No. 1.4571/1.4404 (V4A) stainless steel finish.

Hot-dip galvanized, according to BS 729 (DIN EN ISO 1461)

Product	H	B	L	t	G
KHA 42-30F	42 mm	41 mm	3000 mm	2,50 mm	15,9 kg
KHA 42-60F	42 mm	41 mm	6000 mm	2,50 mm	21,28 kg

H: height
B: width
L: length
t: material thickness
G: weight

DETAILS / APPLICATIONS



$$W_y = 2.80 \text{ cm}^3$$

$$W_z = 5.12 \text{ cm}^3$$

$$I_y = 5.87 \text{ cm}^4$$

$$I_z = 10.50 \text{ cm}^4$$



OPTIONAL ACCESSORIES

SA 2, SAI 21, AM22, RUS 41

