

KDSL

bracket support, light-duty bracket support

Ceiling bracket, light version made of W-/trapezoidal profile 60x20x2.5 mm, perforated in the center. Certified according to DIN EN 61537. For mounting on horizontal ceilings. support distance max. 1.2 m.

F_D/P : coefficient for calculation of the dowel load F_D with effective bracket load P respectively the sum of effective bracket loads. Load specifications only apply for mounting as ceiling bracket. The spacer KSL-SP must be fitted when installing the ceiling to prevent deformation of the profile due to frictional locking of the fastening screw.

Continuously hot galvanized (Sendzimir process) (DIN EN 10346)

Product	H	L	t	G
KDSL 010S	90 mm	140 mm	2,5 mm	0,39 kg
incl.:				
KDSL 015S	90 mm	190 mm	2,5 mm	0,48 kg
incl.:				
KDSL 020S	90 mm	240 mm	2,5 mm	0,56 kg
incl.:				

Hot-dip galvanized, according to BS 729 (DIN EN ISO 1461)

Product	H	L	t	G
KDSL 015F	90 mm	190 mm	2,5 mm	0,50 kg
incl.:				
KDSL 020F	90 mm	240 mm	2,5 mm	0,59 kg
incl.:				
KDSL 025F	90 mm	290 mm	2,5 mm	0,68 kg
incl.:				
KDSL 030F	90 mm	340 mm	2,5 mm	0,76 kg
incl.:				
KDSL 040F	90 mm	440 mm	2,5 mm	0,95 kg

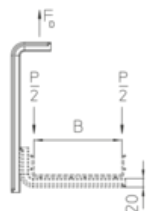
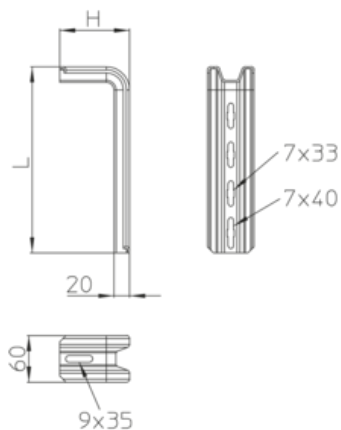
Page 1



Product	H	L	t	G
incl.:				
KDSL 050F	90 mm	540 mm	2,5 mm	1,13 kg
incl.:				
KDSL 060F	90 mm	640 mm	2,5 mm	1,29 kg
incl.:				

H: height
L: length
t: material thickness
G: weight

DETAILS / APPLICATIONS



B	L _k	P _{max}	F _D /P
mm	mm	kN	
100	140	1,8	3,4
150	190	1,4	4,1
200	240	1,1	4,8
250	290	1,0	5,5
300	340	0,8	6,2
400	440	0,6	7,6

OPTIONAL ACCESSORIES

KSL, SD

