

KD

plastic dowel

manufacturer's information has to be observed strictly. D = Nominal drill bit diameter = Outer diameter. Ø = Wood screw diameter = Inner diameter.

Polyamide

Product	L _{min}	D	Ø	G
KD 6	55 mm	8 mm	6 mm	< 0.01 kg
KD 8	70 mm	10 mm	8 mm	< 0.01 kg
KD 10	80 mm	12 mm	10 mm	< 0.01 kg
KD 12	95 mm	14 mm	12 mm	0,01 kg

L_{min}: Minimum drilling depth

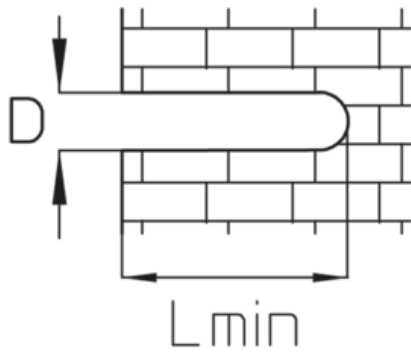
D: diameter

Ø: diameter

G: weight

DETAILS / APPLICATIONS





OPTIONAL ACCESSORIES

SEH

