

## KA 30

bracket, light-duty

bracket, light duty, for ceiling bracket support profile 41

Hot-dip galvanized, according to BS 729 (DIN EN ISO 1461)

Product	B	L	P <sub>max</sub>	G
KA 30-010F	100 mm	125 mm	0,5 kN	0,2 kg
KA 30-015F	150 mm	175 mm	0,5 kN	0,3 kg
KA 30-020F	200 mm	225 mm	0,5 kN	0,3 kg
KA 30-025F	250 mm	275 mm	0,5 kN	0,4 kg
KA 30-030F	300 mm	325 mm	0,5 kN	0,4 kg
KA 30-040F	400 mm	425 mm	0,5 kN	0,5 kg

**B:** width

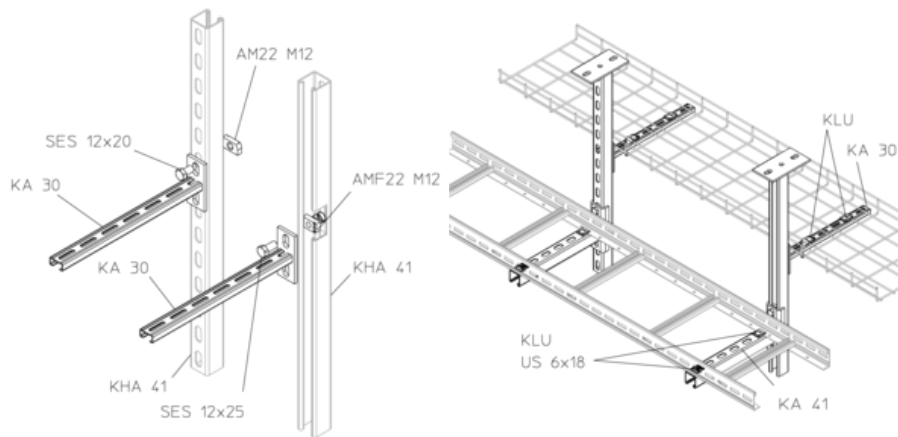
**L:** length

**P<sub>max</sub>:** Maximum load

**G:** weight

## DETAILS / APPLICATIONS





## OPTIONAL ACCESSORIES

HS16, AM16, KLR

