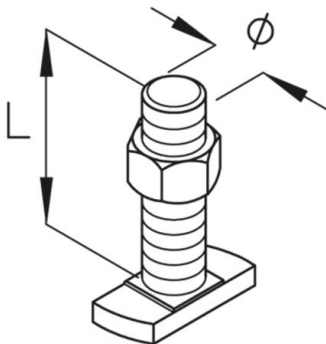


HS12 tee-head bolt



galvanized, according to DIN EN ISO 19598 / DIN EN ISO 2081

Product	L	Ø	G
HS12 6X30	30 mm	6 mm	1,6 kg/100
HS12 6X40	40 mm	6 mm	1,7 kg/100
HS12 8X20	20 mm	8 mm	2 kg/100
HS12 8X30	30 mm	8 mm	2,3 kg/100
HS12 8X40	40 mm	8 mm	2,6 kg/100
HS12 10X20	20 mm	10 mm	3 kg/100
HS12 10X30	30 mm	10 mm	3,5 kg/100
HS12 10X40	40 mm	10 mm	3,9 kg/100

Stainless steel, according to ASTM 31 Ti / AISI 316 L, BS 320S17 / BS 316S11

Product	L	Ø	G
HS12 10X20E4	20 mm	10 mm	3,1 kg/100
HS12 10X30E4	30 mm	10 mm	3,6 kg/100
HS12 10X40E4	40 mm	10 mm	4 kg/100

L: length
Ø: diameter
G: weight



DETAILS / APPLICATIONS

