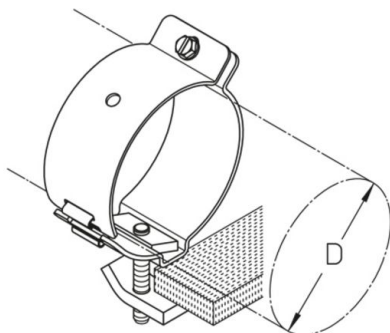


HF-EU 1-4

HF-cable clamp for flat-steel profile fastening



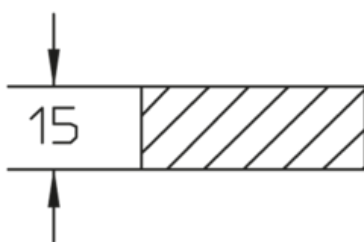
Zinc coated

Product	D	G
HF-EU 1	37 (E 130-190) mm	22,8 kg/100
HF-EU 2	50 (E 78-105) mm	24,2 kg/100
HF-EU 3	62 (E 60-70) mm	26,2 kg/100
HF-EU 4	100 (E 38-46) mm	33,3 kg/100

D: diameter

G: weight

DETAILS / APPLICATIONS





OPTIONAL ACCESSORIES

HF-EE

