

## H

cable clamp for fastening to C-profile rails

Cable clamp with full-surface vat made of galvanised steel. For fastening to C-profile rails (C) with a slot size of 16 mm. certified according to DIN 4102-12

Articles with a diameter of 12-56mm are also available in stainless steel finish, material No. 1.4571 / 1.4404 (V4A).

### Zinc coated

Product	D	H <sub>max</sub>	M	number of cables	G
12 H	8-12 mm	41 mm	2 Nm	1	2,7 kg/100
16 H	12-16 mm	46 mm	2 Nm	1	3,2 kg/100
20 H	16-20 mm	50 mm	2 Nm	1	3,6 kg/100
24 H	20-24 mm	54 mm	2 Nm	1	3,9 kg/100
28 H	24-28 mm	58 mm	2 Nm	1	4,4 kg/100
32 H	28-32 mm	63 mm	2 Nm	1	6,3 kg/100
36 H	32-36 mm	67 mm	2 Nm	1	7 kg/100
40 H	36-40 mm	71 mm	2 Nm	1	7,5 kg/100
44 H	40-44 mm	81 mm	4 Nm	1	9,8 kg/100
48 H	44-48 mm	85 mm	4 Nm	1	10,2 kg/100
52 H	48-52 mm	90 mm	4 Nm	1	10,6 kg/100
56 H	52-56 mm	94 mm	4 Nm	1	11,3 kg/100
60 H	56-60 mm	98 mm	4 Nm	1	15,8 kg/100
64 H	60-64 mm	102 mm	4 Nm	1	16,5 kg/100
70 H	64-70 mm	109 mm	4 Nm	1	17,1 kg/100
12/2 H	8-12 mm	58 mm	2 Nm	2	3,5 kg/100
16/2 H	12-16 mm	67 mm	2 Nm	2	4 kg/100
20/2 H	16-20 mm	75 mm	2 Nm	2	4,8 kg/100
24/2 H	20-24 mm	84 mm	2 Nm	2	5,3 kg/100
28/2 H	24-28 mm	92 mm	2 Nm	2	6 kg/100
32/2 H	28-32 mm	101 mm	2 Nm	2	8,9 kg/100

Page 1



Product	D	H <sub>max</sub>	M	number of cables	G
36/2 H	32-36 mm	109 mm	2 Nm	2	9,6 kg/100
40/2 H	36-40 mm	117 mm	2 Nm	2	10,8 kg/100
44/2 H	40-44 mm	127 mm	4 Nm	2	13,3 kg/100
48/2 H	44-48 mm	135 mm	4 Nm	2	13,9 kg/100
52/2 H	48-52 mm	144 mm	4 Nm	2	15,2 kg/100
56/2 H	52-56 mm	152 mm	4 Nm	2	16,2 kg/100

## Aluminium

Product	D	H <sub>max</sub>	M	number of cables	G
12 H-AL	8-12 mm	41 mm	1,5 Nm	1	2,1 kg/100
16 H-AL	12-16 mm	46 mm	1,5 Nm	1	2,5 kg/100
20 H-AL	16-20 mm	50 mm	1,5 Nm	1	2,9 kg/100
24 H-AL	20-24 mm	54 mm	1,5 Nm	1	3,3 kg/100
28 H-AL	24-28 mm	58 mm	1,5 Nm	1	3,6 kg/100
32 H-AL	28-32 mm	63 mm	1,5 Nm	1	5 kg/100
36 H-AL	32-36 mm	67 mm	1,5 Nm	1	5,5 kg/100
40 H-AL	36-40 mm	71 mm	1,5 Nm	1	5,9 kg/100
44 H-AL	40-44 mm	81 mm	3 Nm	1	7,6 kg/100
48 H-AL	44-48 mm	85 mm	3 Nm	1	8,3 kg/100
52 H-AL	48-52 mm	90 mm	3 Nm	1	10,2 kg/100
56 H-AL	52-56 mm	94 mm	3 Nm	1	10,6 kg/100

## Stainless steel, according to ASTM 304 / BS 304 S 3

Product	D	H <sub>max</sub>	M	number of cables	G
12 H-E	8-12 mm	41 mm	2 Nm	1	2,7 kg/100
16 H-E	12-16 mm	46 mm	2 Nm	1	3,2 kg/100
20 H-E	16-20 mm	50 mm	2 Nm	1	3,6 kg/100
24 H-E	20-24 mm	54 mm	2 Nm	1	3,9 kg/100
28 H-E	24-28 mm	58 mm	2 Nm	1	4,4 kg/100
32 H-E	28-32 mm	63 mm	2 Nm	1	5,4 kg/100



Product	D	H <sub>max</sub>	M	number of cables	G
36 H-E	32-36 mm	67 mm	2 Nm	1	6,1 kg/100
40 H-E	36-40 mm	71 mm	2 Nm	1	6,5 kg/100
44 H-E	40-44 mm	81 mm	4 Nm	1	8,7 kg/100
48 H-E	44-48 mm	85 mm	4 Nm	1	9 kg/100
52 H-E	48-52 mm	90 mm	4 Nm	1	9,3 kg/100
56 H-E	52-56 mm	94 mm	4 Nm	1	9,9 kg/100
12/2 H-E	8-12 mm	58 mm	2 Nm	2	3,5 kg/100
16/2 H-E	12-16 mm	67 mm	2 Nm	2	4 kg/100
20/2 H-E	16-20 mm	75 mm	2 Nm	2	4,8 kg/100
24/2 H-E	20-24 mm	84 mm	2 Nm	2	5,3 kg/100
28/2 H-E	24-28 mm	92 mm	2 Nm	2	6 kg/100
32/2 H-E	28-32 mm	101 mm	2 Nm	2	7,7 kg/100

**D:** diameter

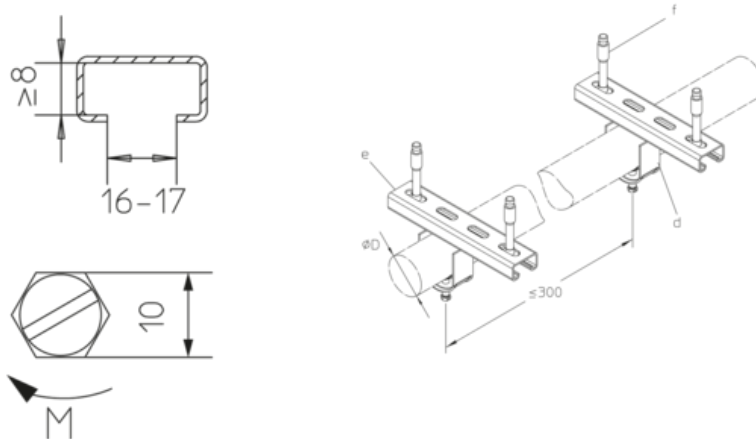
**H<sub>max</sub>:** Maximum height

**M:** torque

**number of cables:** Maximum number of installable cables

**G:** weight

## DETAILS / APPLICATIONS



## OPTIONAL ACCESSORIES

B 7, KHB 7

Page 3



